

Upgrade Kits

Upgrade dosing unit for Lye and Acid

JBT Food & Dairy Systems has been producing machines for more than 100 years. Sterilizing and cleaning of the machines is one of the essential techniques that made JBT SF&DS the company it is today.

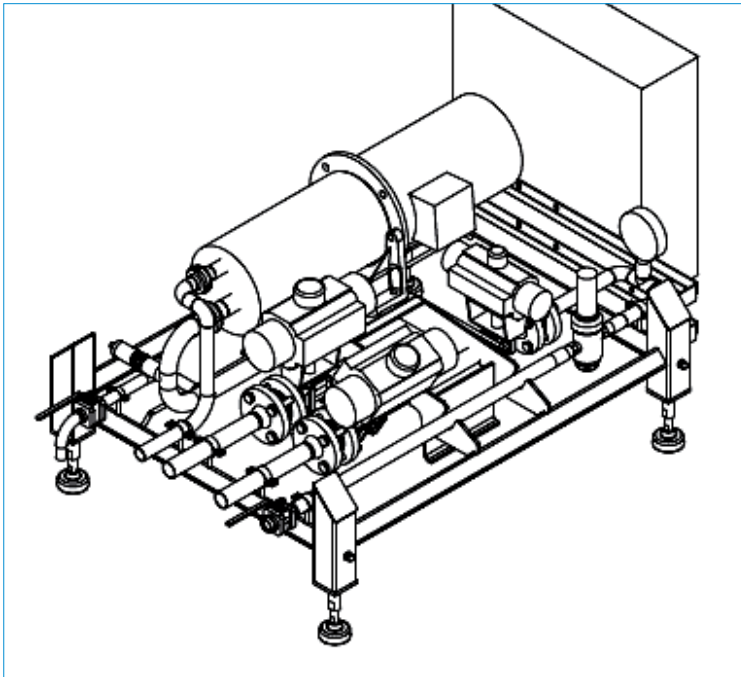
What do I have now?

The old design for the dosing unit on the Sterideal® is using an obsolete pump type. Depending on the Acid type, the old design pump requires regular replacement of the stator. Problems with the pump or high maintenance frequencies result in delay in productivity. It also contains the option to add a Lye and Acid tank.

What will the future bring?

By replacing the current kits with a new version containing the Hydra cell G-10 design, maintenance will significantly reduce. The kits is designed for easy maintenance.

To install this, the old kits will be removed completely and the new kits will come in its place. The investment in this upgrade will result in a decrease of regular maintenance cost and an increase in performance and predictability.



Please contact your JBT customer care manager for more information.

— KitA14068-EN - 07•20 (103) Subject to change without notice —

jbt.com

JBT Food & Dairy Systems

Deccaweg 32
1042 AD Amsterdam
The Netherlands
Phone: +31.20.634.8911
Fax: +31.20.636.9754
info.ams@jbt.com



Ordering Information

As part of JBT's commitment to your success, our wide range of upgrade kits are designed to give you maximum return on your original investment through increased performance and service life.

Please contact info.ams@jbt.com for more information or to request a quote.

All JBT kits are subject to software/system compatibility and may change without previous notice.