

## Upgrade Kits

### Upgrade to automatic HPV circuit flush

The HPV circuit of the AsepTec® Linear Filler must be flushed regularly to remove residue from the spirals and piping. Earlier models were equipped with a manual flush system. On those machines, a water supply has to be manually connected, and manual ball valves have to be switched.

### Reduce the effort and add valves

The manual ball valves will be equipped with a pneumatic actuator, and valves are added to operate the flow. The piping is connected to an RO water supply. During an external cleaning of the machine, the valves are actuated, to flush the HPV system including all spirals, without operator intervention.

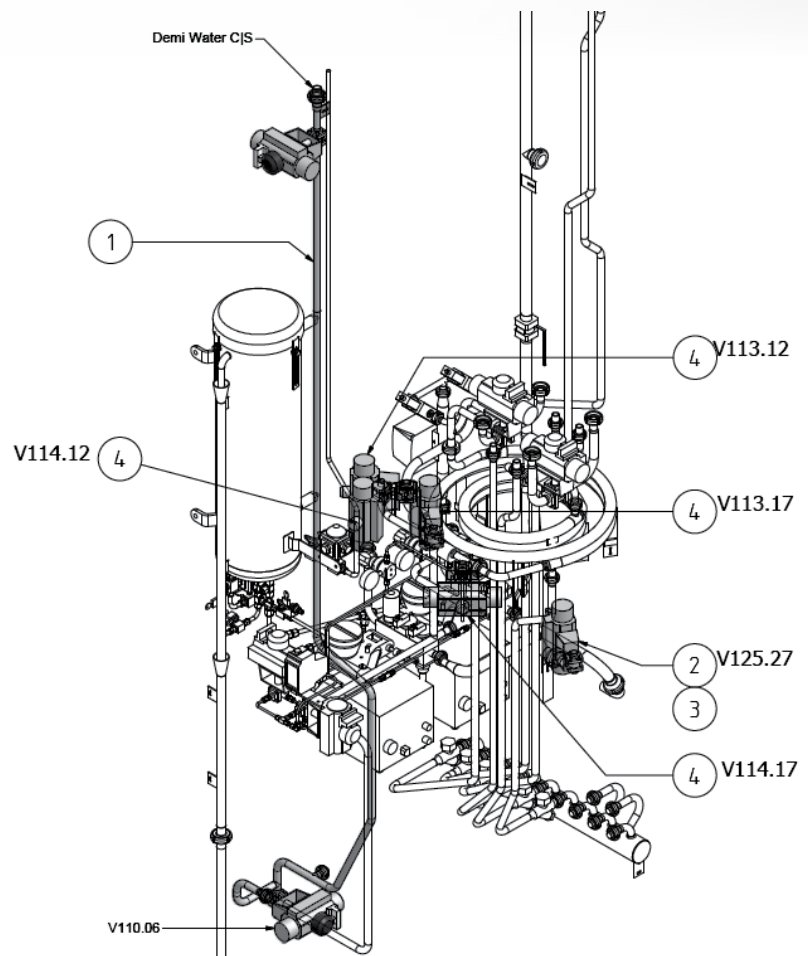
Actuators will be mounted on the ball valves. The valves are equipped with a position indicator. The indicator and pneumatics are connected, and the software and external cleaning processes are updated. Installation can be done in 2 days, limiting the operational impact as much as possible.

### Why buy this modification?

By automating the flush, the following is gained:

- Reduce operator workload
- Reduce waiting time
- Ensure cleaning is not skipped to ensure longer intervals between the acid cleaning the HPV system.

Please contact your JBT Customer Care manager for more information.



#### JBT Food & Dairy Systems

Deccaweg 32  
1042 AD Amsterdam  
The Netherlands  
Phone: +31.20.634.8911  
Fax: +31.20.636.9754  
[info.ams@jbt.com](mailto:info.ams@jbt.com)



#### Ordering Information

As part of JBT's commitment to your success, our wide range of upgrade kits are designed to give you maximum return on your original investment through increased performance and service life.

Please contact [info.ams@jbt.com](mailto:info.ams@jbt.com) for more information or to request a quote.

All JBT kits are subject to software/system compatibility and may change without previous notice.