

Upgrade Kits

Customer Care Program

JBT Food & Dairy Systems has been creating Linear Fillers for many years. The experience with these machines is resulting in optimization of our new machines. The results of these developments we also offer to our customers are running the same equipment.

When the Linear Filler has a nitrogen solution, it is depending on continues pressure by the utility. If this pressure drops, the machine can have several problems. To to preven this, the machine can be set into a quarter step.

When the Linear Filler is equipped with an NVD or GN2 nitrogen system, bottles will be rejected if the residual oxygen percentage in the bottle is too high. If the machine sets a quarter step, for example to wait for process conditions, bottles that were below a nitrogen station (empty bottle flush or headspace flush), are moved further. They are slowly being flushed by the AVD air with 20.8% oxygen. Depending on the set timers per N2 station, these bottles are rejected after seconds up to minutes in the quarter step, due to too much oxygen in the bottle or headspace. This results in multiple rows of rejected bottles, meaning loss of valuable product.

Prevent loss

The timer for headspace flush is usually the shortest, a couple of seconds in the AVD, before bottles have to be rejected.

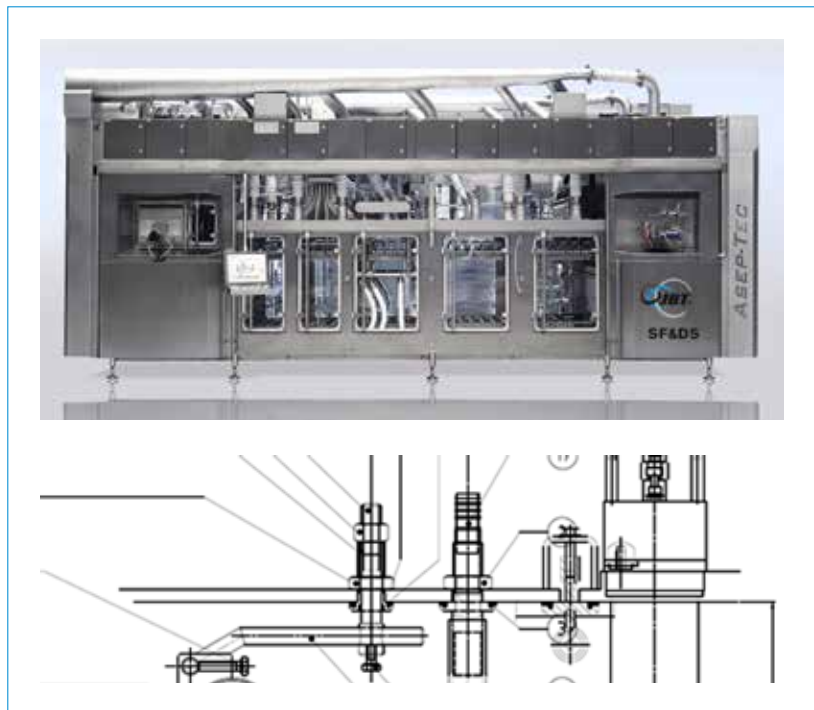
This quarter step can occur multiple times during a production, due to minor variation in utilities or process conditions, each time resulting in 16 or 24 or 32 filled bottles that are rejected to waste.

If the headspace is also flushed when the machine is in quarter step, these two rows of bottle don't need to be rejected.

The empty bottle flush is the only segment that will still be rejected..

Exchange the manifold

To ensure the headspace is still being flushed in quarter step, the headspace flush manifold is modified. An extra set of nozzles is added to the manifold. By replacing the current manifold with the modified manifold, the system will also have nozzles above the quarter step position.



Please contact your JBT Customer Care manager for more information.

— KitA14047-EN - 07•20 (98) Subject to change without notice —

jbt.com

JBT Food & Dairy Systems

Deccaweg 32
1042 AD Amsterdam
The Netherlands
Phone: +31.20.634.8911
Fax: +31.20.636.9754
info.ams@jbt.com



Ordering Information

As part of JBT's commitment to your success, our wide range of upgrade kits are designed to give you maximum return on your original investment through increased performance and service life.

Please contact info.ams@jbt.com for more information or to request a quote.

All JBT kits are subject to software/system compatibility and may change without previous notice.