

Upgrade Kits

Blow Molding Controls Upgrade

JBT Food & Dairy Systems has been producing high quality machines for over 100 years. Blow molding machines produced in 1971 are still producing today! Machines that have been installed almost 50 years ago, clearly missed out on some of the developments that have taken place. Due to the high quality and reliability of these machines, upgrading essential parts of the machines can be a very interesting alternative to replacement.

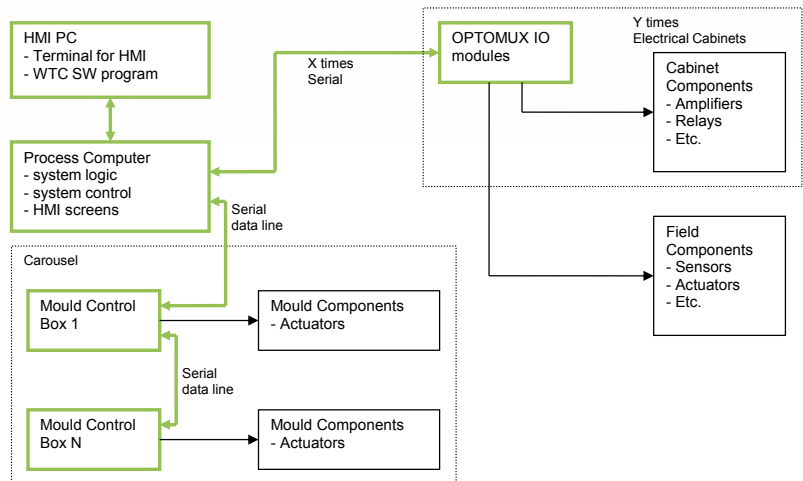
So what's old?

If there is one thing that has shown major changes in technology in that long period, it's computer technology. The older machines mostly contain obsolete hardware and software. This will result in the lack of spare parts, trending or remote support. A breakdown will cause a long standstill of the machine due to the lack of availability of spares.

What's new?

One of the major improvements in the new machines is the controls system. The new controls system has state of the art software, trending, remote facilities and everything that you are used to have in the current time.

By replacing the HMI terminal, processing computer, mould control boxes and OPTOMUX IO modules, we can set you up with our new standard on an old machine. The only thing to stay in place are the mould component actuators and electrical cabinets. With the new controls system the risk on breakdowns is decreased significantly. In case of a breakdown, JBT can quickly supply the broken parts of the control system to reduce downtime of the machines.



Please contact your JBT Customer Care manager for more information.

JBT Food & Dairy Systems

Deccaweg 32
1042 AD Amsterdam
The Netherlands
Phone: +31.20.634.8911
Fax: +31.20.636.9754
info.ams@jbt.com



Ordering Information

As part of JBT's commitment to your success, our wide range of upgrade kits are designed to give you maximum return on your original investment through increased performance and service life.

Please contact info.ams@jbt.com for more information or to request a quote.

All JBT kits are subject to software/system compatibility and may change without previous notice.