



TT-G

A bench mounted, sliding base tray seal machine with Gas Flush functionality and contoured film cutting facility. Capable of sealing up to 6 packs per minute.

The TT-G is a small, compact and robust bench mounted Gas Flush MAP tray sealing machine.

Capable of up to six cycles per minute, the TT-G is ideal for low volume production and production trials. With the ability to utilise a wide range of materials and gas mixtures.



ATMOSPHERIC SEAL



GAS FLUSH

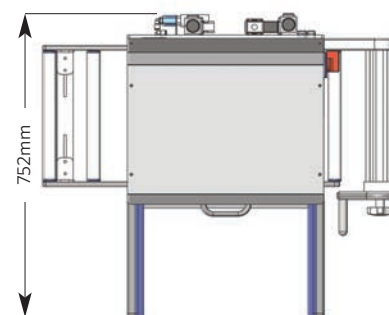
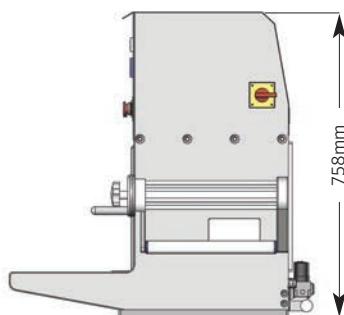
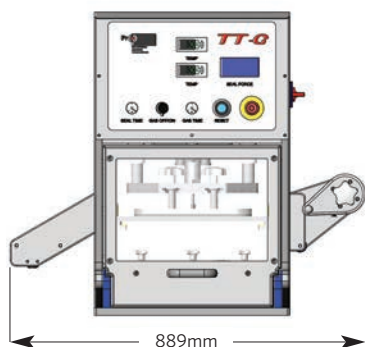
Packaging Materials

Trays

- C-PET
- A-PET
- R-PET
- Polypropylene
- PVC / Styrene
- Board / Paper
- Smooth Wall Foil
- Cardboard
- Sandwich Skillets

Lidding

- Co-extruded and Laminated Polyester Films
- Foil
- Board
- Paper



Standard design features and benefits

- Two minute tool changeover
- Free flow gas flush MaP (Modified atmosphere Packaging)
- Low maintenance polymer bearings
- Simple and accurate film-feed system with easy film route
- Maintenance friendly robust construction
- Accurate temperature and seal pressure control
- Fully portable bench mounted
- High accuracy tool alignment system provides a constantly accurate sealing and/or film-cutting relationship with the tray flange profile
- Two position interlocked sliding base mechanism and a fully enclosed seal area
- Manual film-feed and skeletal waste rewind
- Simple design and operation
- All around seal only (No Cut) for packs with pre-cut or hinged lids
- All around seal and contoured film-cut
- Automatic seal operation with accurate seal dwell time
- Food industry approved hygienic construction and washdown protection
- Full Category 3 guarding
- Sale, Lease Purchase and Rental options available

Options available

- Foil crimping
- Deep tray/pot machine configuration
- Pharmaceutical Blister Packaging Machines
- Sandwich Pack Sealing for Board, Recyclable and Non Recyclable Plastic

TT-G Specifications

Height	758mm
Standard Length	889mm
Width	752mm
Weight	103.5kg
Pneumatic supply	3CFM (85L/min) at min 6 bar (85 psi)
Electrical supply	Single Phase 230 VAC 50Hz 16A

Transformers are available to accommodate the electrical supplies in different countries

TT-G Sealing capacity

The TT-G can accept film cut trays of up to 325mm length x 290mm width

TT-G Production Speed

Up to 6 cycles per minute



READY MEALS | SMOOTH WALL FOIL



RED MEAT | C-PET



SANDWICHES | BOARD



PRODUCE | A-PET



FISH | BOARD