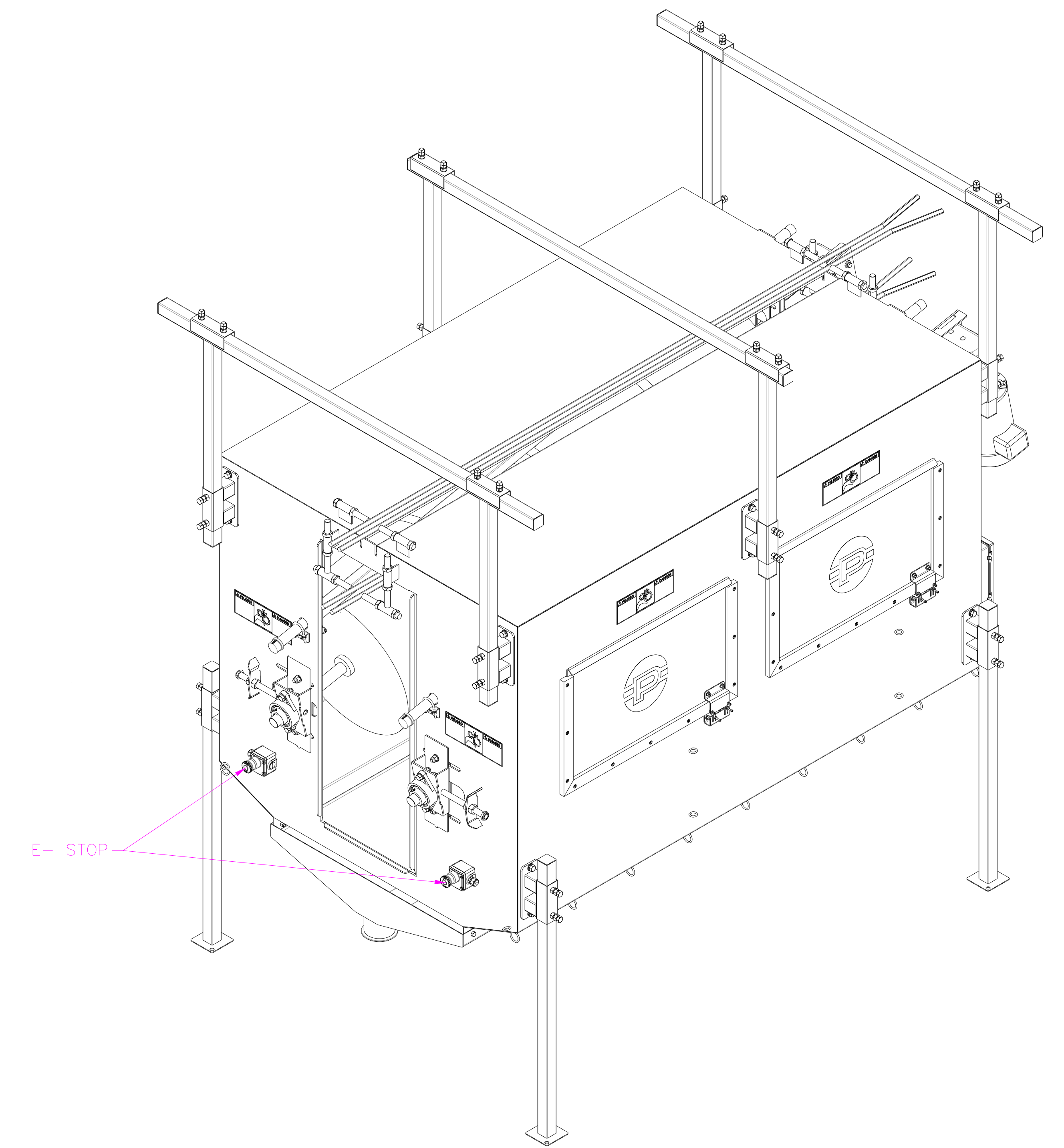
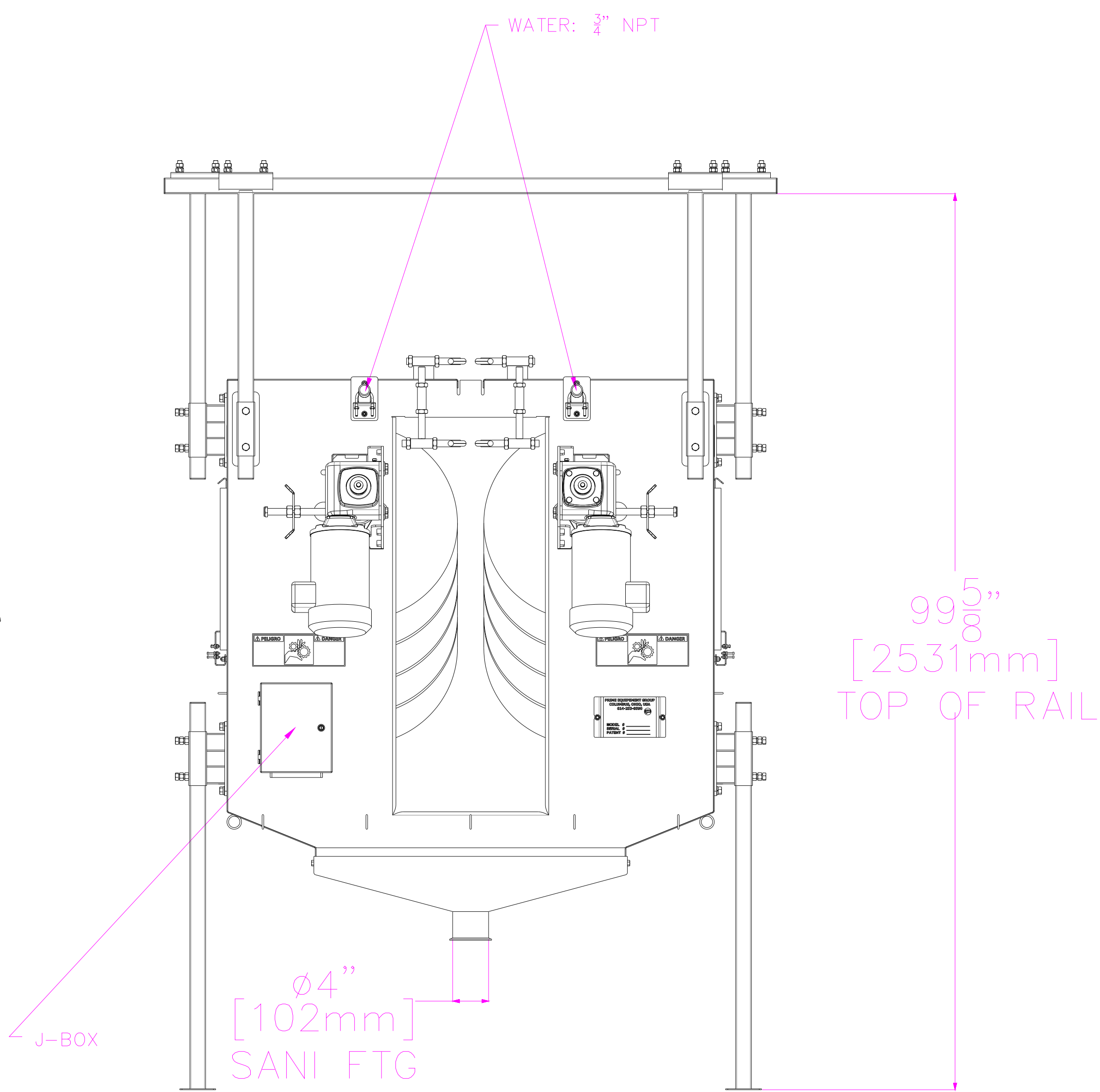
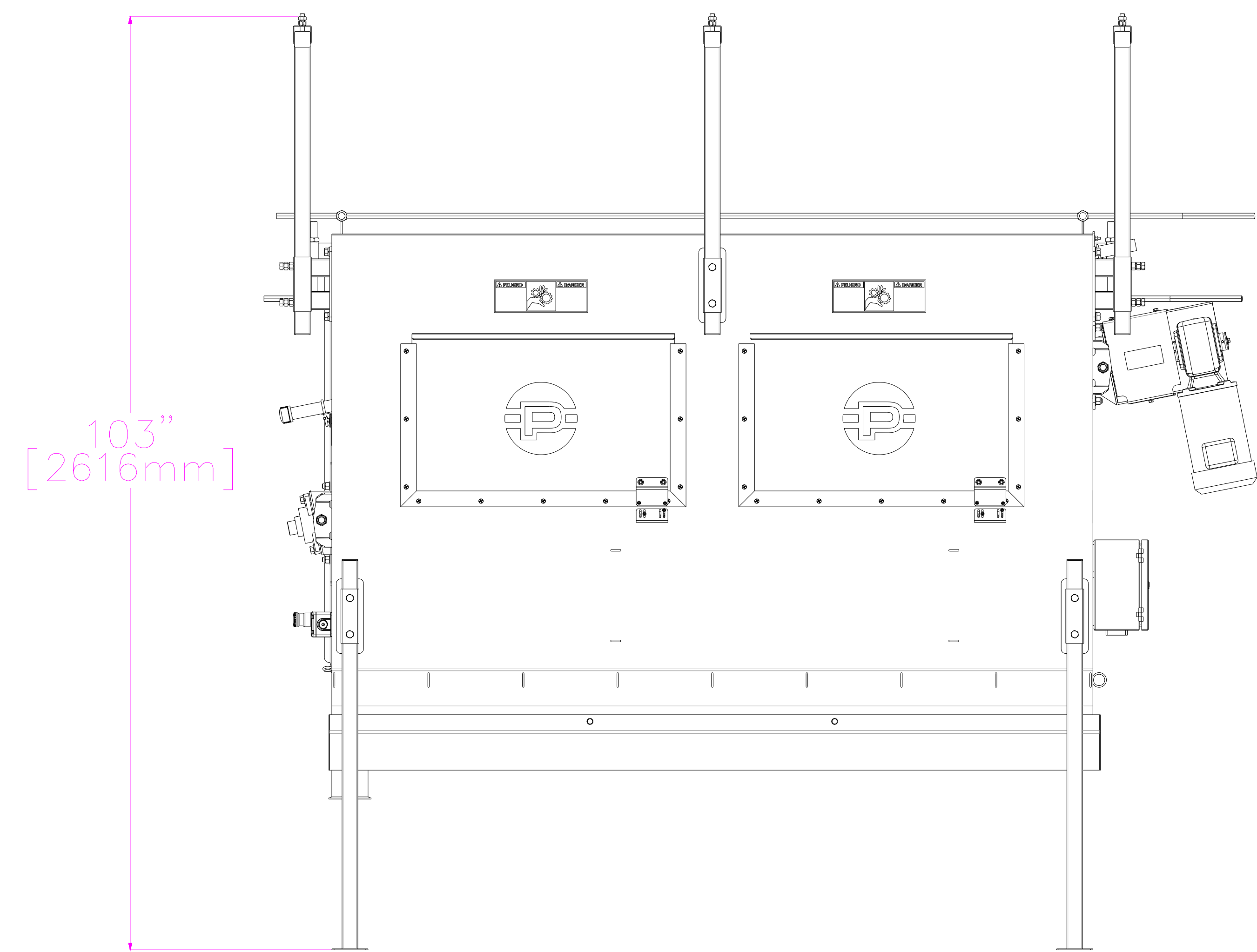


PRODUCT INFEEED

MOTOR: 2HP (X2 TOTAL)



ELECTRICAL REQUIREMENTS			
VOLTS	HERTZ	PHASE	AMPS
460	60	3	15

HYDRAULIC REQUIREMENTS		
PSI	GPM	
-	-	

WATER REQUIRMENTS			
TEMP	PSI	GPM	INLET SIZE
-	60	25	3/4" NPT

AIR REQUIRMENTS			
TEMP	PSI	CFM	INLET SIZE
-	-	-	-

*****NOT FOR CONSTRUCTION*****
THIS DRAWING IS FOR PROPOSAL AND QUOTATION PURPOSES ONLY.

*****MACHINE CONTROLS NOTICE*****
MACHINES PROVIDED WITHOUT CONTROLS UNLESS OTHERWISE NOTED.

*****PRELIMINARY DRAWING*****
EQUIPMENT REPRESENTED IN THIS DRAWING MAY NOT INDICATE FINAL CONSTRUCTION.

*****DIMENSION NOTICE*****
DIMENSIONS IN THIS DRAWING ARE TO BE ASSUMED AS APPROXIMATE UNTIL CONFIRMED BY CUSTOMER.

DRAWING APPROVED FOR CONSTRUCTION
SIGNATURE: _____
BY: _____
DATE: _____

NO	DATE	BY	DESCRIPTION
REVISIONS			
PRIME EQUIPMENT GROUP COLUMBUS, OHIO			
PSS-8X18 PRE-SCALD SCRUBBER 8 BRUSH TURKEY			
DATE CREATED: 2/10/2022	DRAWN BY: LIN, JIANA	FILE NAME: PSS-8X18 EAD.DWG	SHEET # OF: 1
DATE LAST SAVED: 3/28/2023	BY: LINJIAN	REVISION: 1	QUOTE NO. / SALES ORDER NO.:
SCALE: FULL			
<small>This document may contain trade secrets and confidential information that is the sole property of Prime Equipment Group, Inc. (Prime). Prime reserves all patent, copyright, trademark and other intellectual property rights in information contained in this document. Recipients of this document are NOT authorized to use, reproduce, copy, disclose or transmit, in whole or in part, the information contained herein without the prior written consent of Prime. All rights reserved. Copyright 2007 Prime Equipment Group, Inc.</small>			