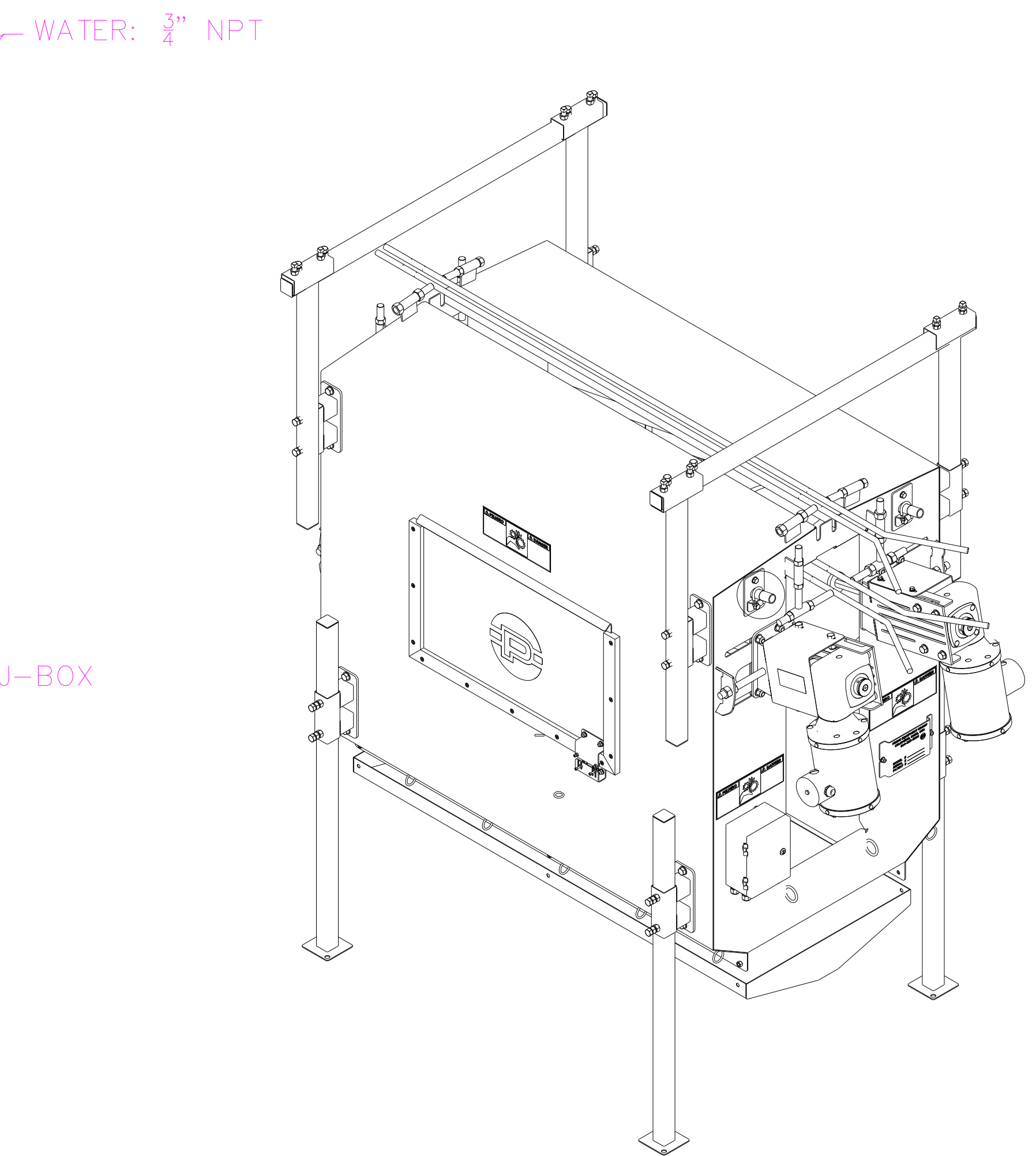
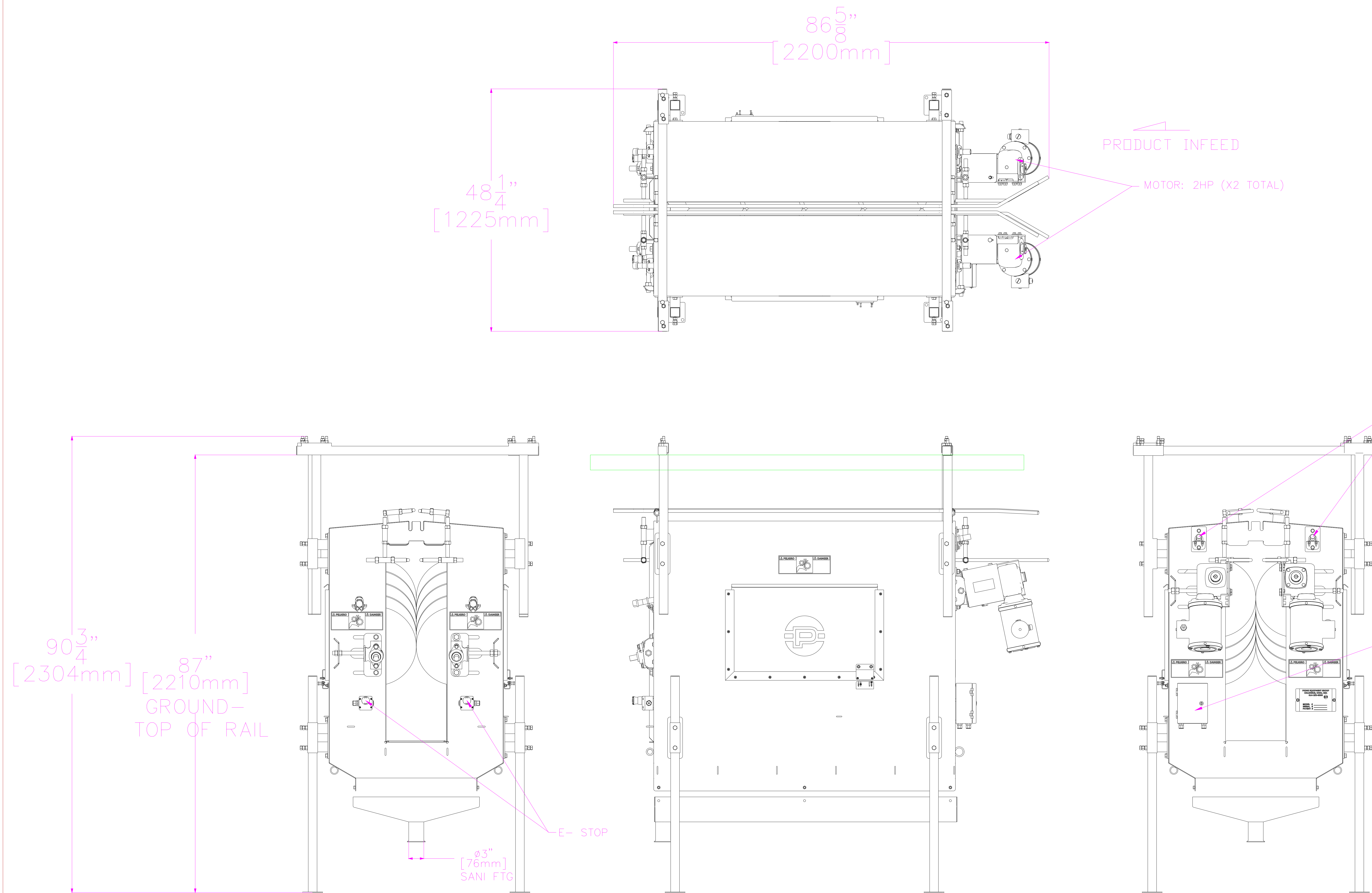


ELECTRICAL REQUIREMENTS			
VOLTS	HERTZ	PHASE	AMPS
460	60	3	15

HYDRAULIC REQUIREMENTS		
PSI	GPM	
-	-	

WATER REQUIREMENTS			
TEMP	PSI	GPM	INLET SIZE
-	60	25	3/4" NPT

AIR REQUIREMENTS			
TEMP	PSI	CFM	INLET SIZE
-	-	-	-



**\*\*\*NOT FOR CONSTRUCTION\*\*\***  
THIS DRAWING IS FOR PROPOSAL AND QUOTATION PURPOSES ONLY.

**\*\*\*MACHINE CONTROLS NOTICE\*\*\***  
MACHINES PROVIDED WITHOUT CONTROLS UNLESS OTHERWISE NOTED.

**\*\*\*PRELIMINARY DRAWING\*\*\***  
EQUIPMENT REPRESENTED IN THIS DRAWING MAY NOT INDICATE FINAL CONSTRUCTION.

**\*\*\*DIMENSION NOTICE\*\*\***  
DIMENSIONS IN THIS DRAWING ARE TO BE ASSUMED AS APPROXIMATE UNTIL CONFIRMED BY CUSTOMER.

**DRAWING APPROVED FOR CONSTRUCTION**  
**SIGNATURE:**  
**BY:** \_\_\_\_\_  
**DATE:** \_\_\_\_\_

NO	DATE	BY	DESCRIPTION
<b>REVISIONS</b>			
PRIME EQUIPMENT GROUP COLUMBUS, OHIO			
PSS-8 PRE-SCALD SCRUBBER 8 BRUSH CHICKEN			
DATE CREATED: 3/28/2023	DRAWN BY: LIN, JIANA	FILE NAME: PSS-8 EAD.DWG	SHEET # OF: -
DATE LAST SAVED: 3/28/2023	BY: LINJIAN	REVISION: -	QUOTE NO.: -
SCALE: FULL	CREATED FROM:		
<small>This document may contain trade secrets and confidential information that is the sole property of Prime Equipment Group, Inc. (Prime). Prime reserves all patent, copyright, trademark and other intellectual property rights in information contained in this document. Recipients of this document are NOT authorized to use, reproduce, copy, disclose or transmit, in whole or in part, the information contained herein without the prior written consent of Prime. All rights reserved. Copyright 2007 Prime Equipment Group, Inc.</small>			