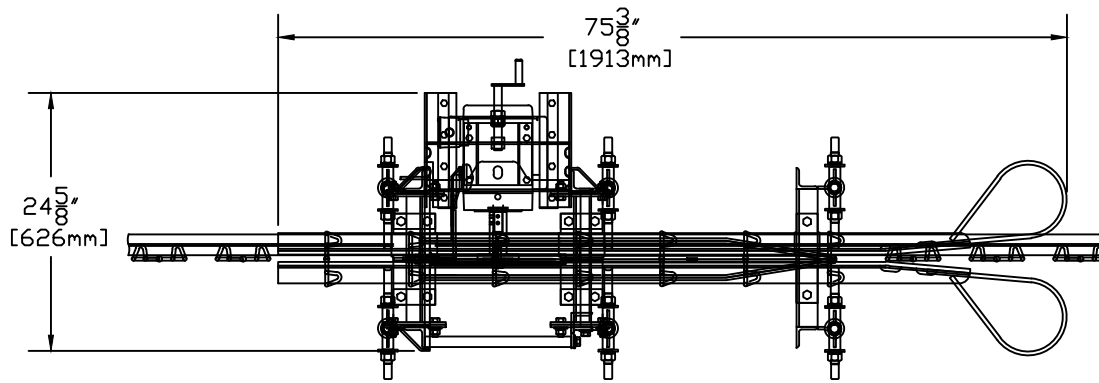


PRIME EQUIPMENT GROUP ON LINE QUARTERING UNIT (MODEL QLQ-1)
(PRIME TURNING SHACKLES ARE REQUIRED FOR THIS MACHINE TO FUNCTION)



UNIT HUNG FROM OVERHEAD RAIL

