

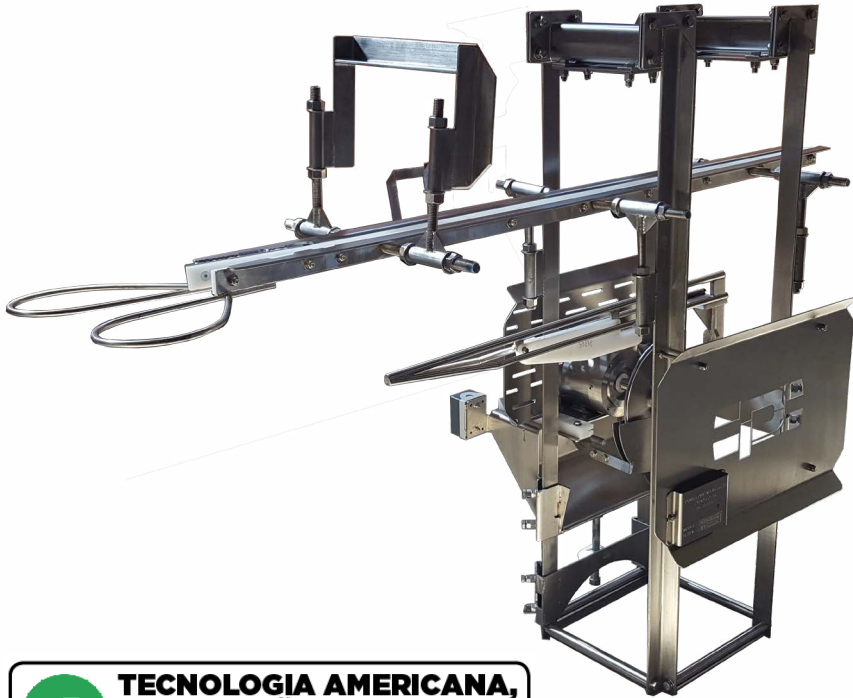


**STRONGER
TOGETHER**

**PRIME
EQUIPMENT GROUP**
Simple Solutions for Poultry Processing

ON-LINE LEG QUARTERING UNIT

Model No. OLQ-1



**TECNOLOGIA AMERICANA,
FABRICAÇÃO BRASILEIRA,
QUALIDADE GLOBAL.**

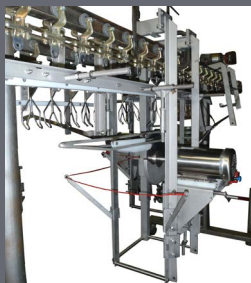


The OLQ-1 On-Line Quartering Unit is designed to automatically split back halves into quarters while birds are in shackles on-line. Pivoting shackles present the back half to the blade automatically, and leg quarters are then dropped for additional processing or pack-out. The OLQ-1 works perfectly downline from Prime's HM-Series halver and BSC-1 Back Skin Cutter.

See Prime in action: View
www.PrimeEquipmentGroup.com/videos

Viewing online?
[Click here](#)

MACHINE-MADE CUTS IMPROVE
CONSISTENCY COMPARED TO HAND CUTS
IMPROVES SAFETY OVER HAND CUTTING
THE IDEAL COMPLEMENT TO PRIME'S
HM-1 HALVER AND BSC-1 BACK SKIN CUTTER
FOR A COMPLETE CUT-UP SOLUTION



PRIME ROI:

- ELIMINATE MANUAL LEG-QUARTERING LABOR
- IMPROVE YIELD AND CUT CONSISTENCY
- PROVEN DESIGN OFFERS TIME-TESTED, CONSISTENT RESULTS
- PRIME EQUIPMENT GROUP QUALITY IS BUILT-IN



2001 Courtright Road
Columbus, OH 43232 USA



Please call
+1 (614) 253-8590



Send us an email
Sales@PrimeEquipmentGroup.com



More info
PrimeEquipmentGroup.com

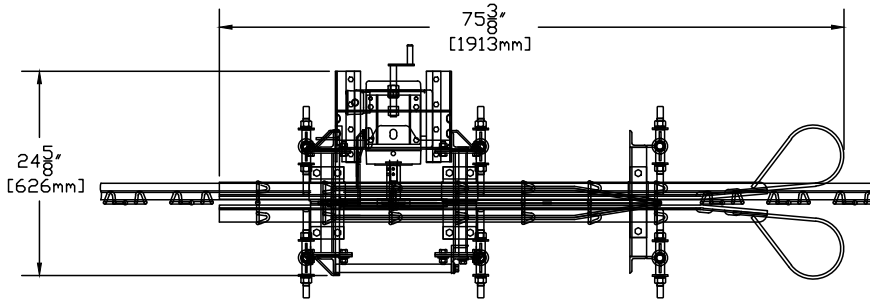


**STRONGER
TOGETHER**

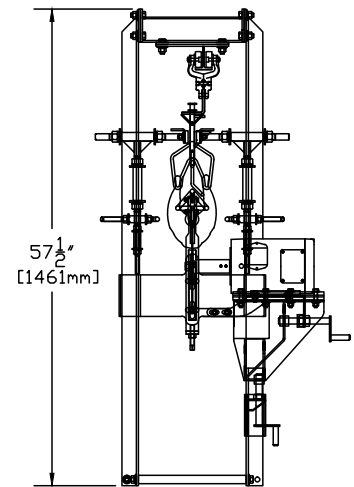
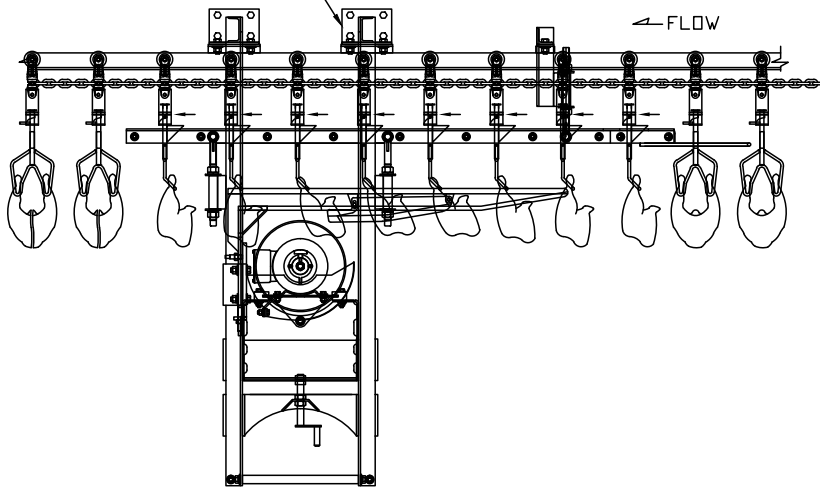
**PRIME
EQUIPMENT GROUP**
Simple Solutions for Poultry Processing

ON-LINE LEG QUARTERING UNIT

Model No. OLQ-1



UNIT HUNG FROM OVERHEAD RAIL



TECHNICAL SPECIFICATIONS

Electrical Requirements:	(1) 2 hp, (1) 1 hp motor; 480V, 3 ph, 60 Hz, 15 amps
Net Weight:	Approximately 800 lbs. (362 kg)
Production Rate :	Variable with line speed
NOTE: Requires installation of Prime Equipment Group turning shackles	