

Tomato Peeling System



The New Saturno™ peeler is able to peel large quantities of tomatoes by operating with diverse peeling conditions.



Tomatoes coming out of the extraction valve after scalding and vacuum cooling

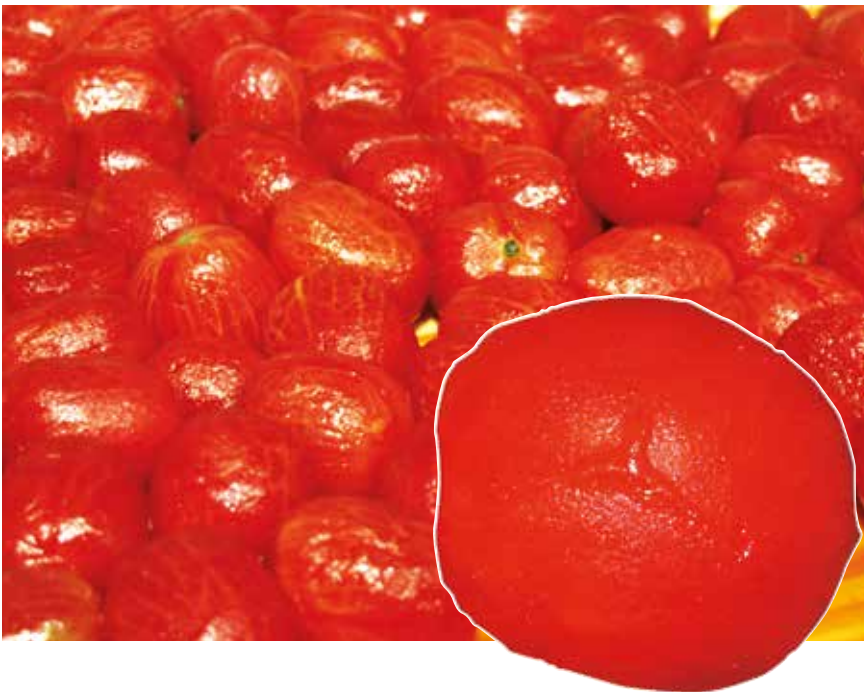
Tomato peeling system

The New SATURNO peeler peels large quantities of tomatoes by varying the scalding time according to the initial or final characteristics of the product. Moreover, it provides you the ability to peel under diverse conditions:

- Tomatoes are steam pressure scalded, immersed in overheated water and then vacuum cooled
- Tomatoes are steam-pressure scalded and then vacuum cooled
- Tomatoes are scalded through immersion in overheated water and then vacuum cooled

The choice among the three systems is made so as to optimize the peeling yield according to the type of tomatoes being processed.

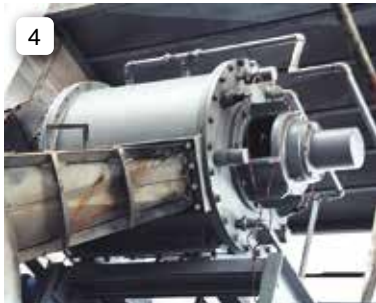
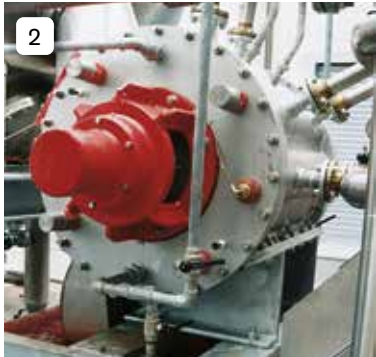
The removal of the skins still stuck to the fruits, if any, is achieved by special, highly effective peel separators located at the outlet of the vacuum cooling valve.



Peeled tomatoes after peel separators

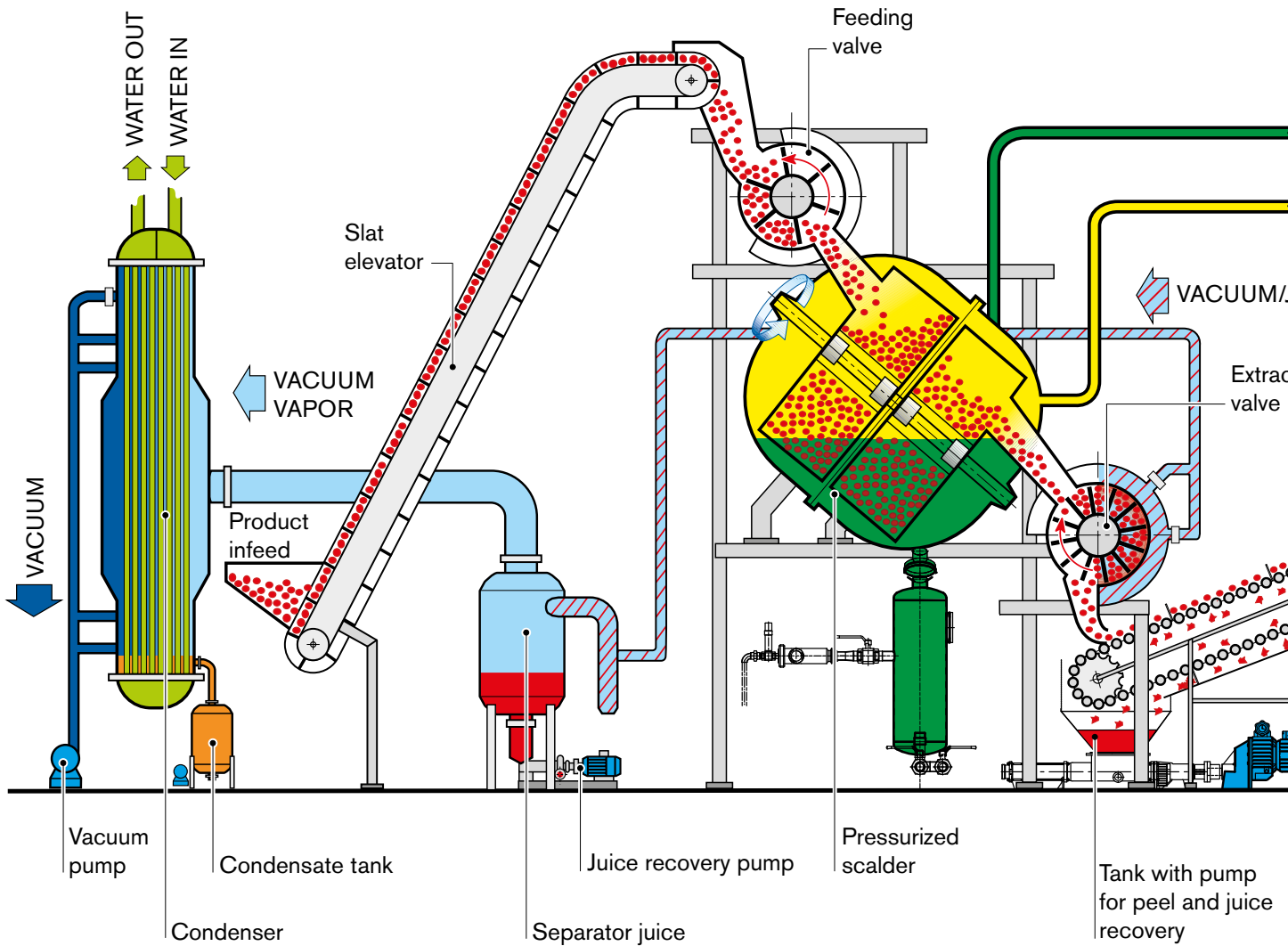
Features and benefits of SATURNO tomato peeler

- High peeling efficiency
- Excellent quality
- High capacity
- Flexibility and reliability
- Energy savings
- Low maintenance costs



1. Tomatoes coming out of the extraction valve after scalding and vacuum cooling
2. Extraction valve
3. Tomato washing before the scalding treatment
4. Feed valve with loading hopper to the scalding
5. Constant pre-washed tomatoes feeding to the feed valve
6. Tomatoes coming out of peel separators
7. Peeling line main panel board

Tomato Peeling System





Self-lubrication



Complies with EC directives



Accident prevention guards



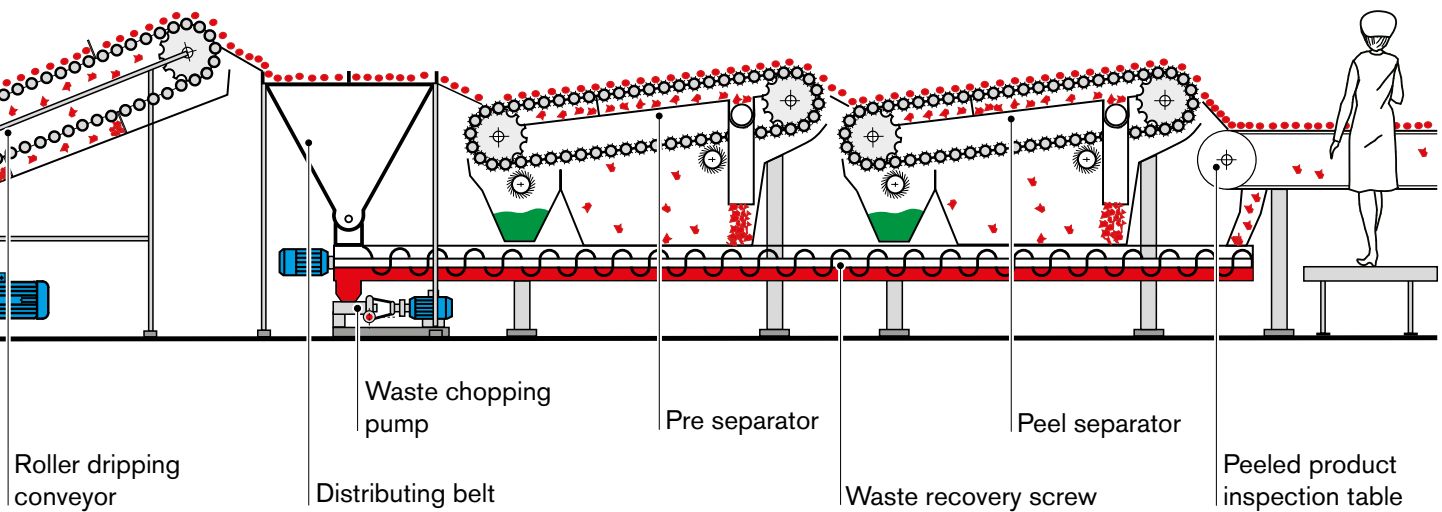
Low maintenance cost

← WATER FEED

← STEAM

← JUICE/VAPOR

ction



Tomato Scalding/Peeler

A feeding valve feeds fresh product coming from the feed elevator through a hopper.

The feeding valve transfers the fresh tomatoes into the pressurized scalding area accomplishing the following function:

- dosing a constant quantity of fresh product to the scalding
- keeping inner steam pressure by using radial and axial seals

By setting the optimal thermal cycle, the scalding can process different tomato varieties and maturities.

To achieve outstanding performance, the following scalding options are available:

- pressurized steam scalding up to 131 °C, with subsequent immersion in water at the same temperature
- pressurized steam scalding
- scalding through immersion in overheated water

The product, vacuum cooled into the extraction valve, is then discharged through a hopper onto a peel separator feed elevator.

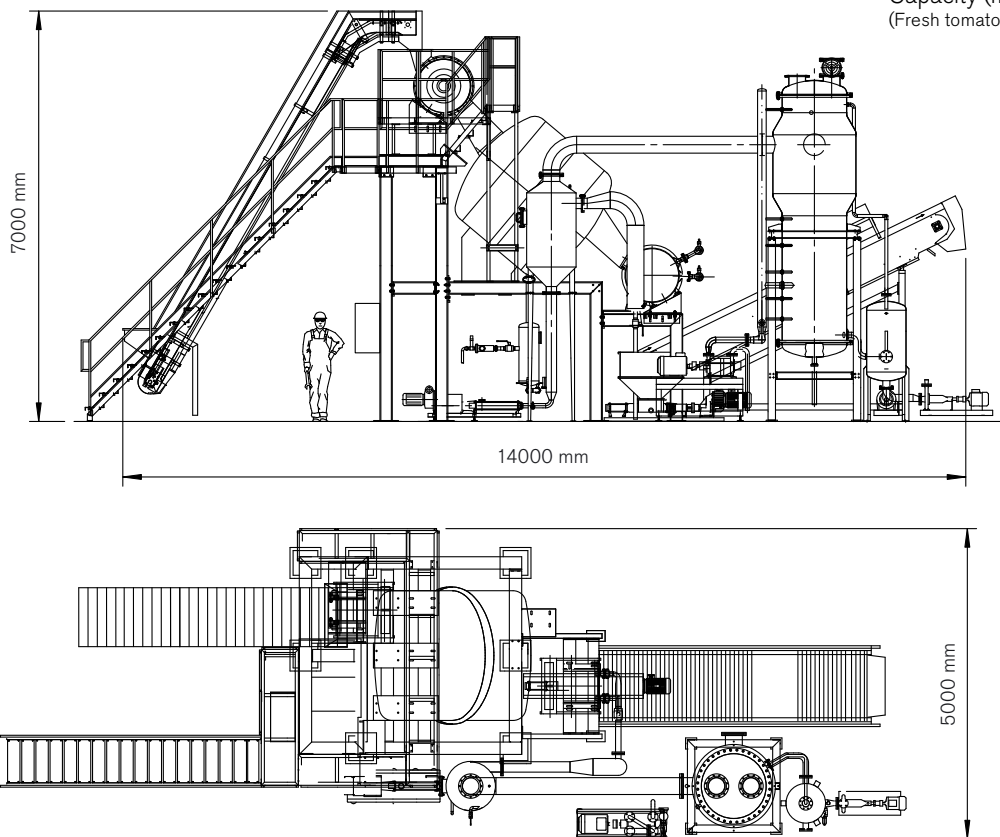


1. Steam and overheated water scalding with vacuum cooling
2. Details of a valve radial seal, easy to inspect and disassemble while keeping the valve closed



Approximate Specifications

Capacity (max) 50/55 t/h
(Fresh tomatoes input)



COUNT ON JBT TO HELP PROTECT YOUR INVESTMENT

JBT's greatest value in PRoCARE® services comes from preventing unexpected costs through smart, purposeful, and timely maintenance based on unmatched knowledge and expertise. PRoCARE service packages are offered as a maintenance agreement in various service levels, depending on your production and cost management requirements.



JBT DIVERSIFIED FOOD & HEALTH

FRESH PRODUCE TECHNOLOGIES | FRESH-CUT, ROBOTICS, STEAMING | FRUIT AND VEGETABLE PROCESSING | SECONDARY PROCESSING | ASEPTIC SYSTEMS | FILLING AND CLOSING | IN-CONTAINER STERILIZING | TRAY SEALING | SECONDARY PACKAGING | HIGH-PRESSURE PROCESSING | POWDER PROCESSING | TUNA PROCESSING

OUR BRANDS



Europe

John Bean Technologies SpA
Via Mantova 63/A
43122 Parma
Italy
Phone: +39 0521 908 411
Fax: +39 0521 460 897

John Bean Technologies NV
Breedstraat 3
9100 Sint-Niklaas
Belgium
Phone: +32 3 780 1211
Fax: +32 3 777 7955

John Bean Technologies Foodtech Spain S.L.
Autovía A-2, Km 34,400 - Edificio 1 y 3
28805 Alcala de Henares
Madrid, Spain
Phone: +34 91 304 0045
Fax: +34 91 327 5003

Latin America

JBT de México S de RL de CV
Camino Real a San Andrés Cholula No. 2612
Col. San Bernardino Tlaxcalancingo
72820 San Andrés Cholula, Puebla
México
Phone: +52 222 329 4902
Fax: +52 222 329 4903

North America

John Bean Technologies Corporation
400 Fairway Avenue
Lakeland, FL 33801
USA
Phone: +1 863 683 5411
Fax: +1 863 680 3672

John Bean Technologies Corporation
2300 Industrial Avenue
Madera CA 93639
USA
Phone: +1 559 661 3200
Fax: +1 559 661 3156

South America

John Bean Technologies Máq.
e Equip. Ind. Ltda.
Av. Eng Camilo Dinucci 4605
14808-900 Araraquara, São Paulo
Brazil
Phone: +55 16 3301 2000
Fax: +55 16 3301 2144

Asia Pacific

John Bean Technologies (Shanghai) Co., Ltd.
Room 1908, Hongwell International Plaza,
1600 West Zhongshan Road,
Xuhui District, Shanghai 200235,
PRC
Phone: +86 21 3339 1588
Fax: +86 21 3339 1599

John Bean Technologies (Thailand) Ltd.
No. 2525 FYI Center Building 2, 9th Floor
Unit No. 2/901-2/903, Rama IV Road
Klongtoei, Bangkok 10110
Thailand
Phone: +66 (0) 2257 4000
infoasia-jbtfoodtech@jbt.com

South Africa

John Bean Technologies (Pty) Ltd.
Koper Street
Brackenfell
Cape Town, South Africa 7560
Phone: +27 21 982 1130
Fax: +27 21 982 1136



We're with you, right down the line.™

hello@jbt.com | jbt.com

