

DSI™ J-Switch Safety Interlock

Convert seamlessly to a more durable device



Improve uptime with the durable new DSI J-Switch Safety Interlock. The device is machined from a single billet of stainless steel and employs a stainless steel cable gland nut over a proprietary potting compound, enabling it to survive the kind of tough operating environments common in the food processing industry.

Safety interlocks offer protection to machine operators and sanitation personnel by detecting the correct position of machine guards and access panels. JBT FoodTech

recognized the need for a more robust safety interlock capable of surviving high pressure wash down, acidic and caustic cleaning chemicals, temperature cycling and time-pressured maintenance.

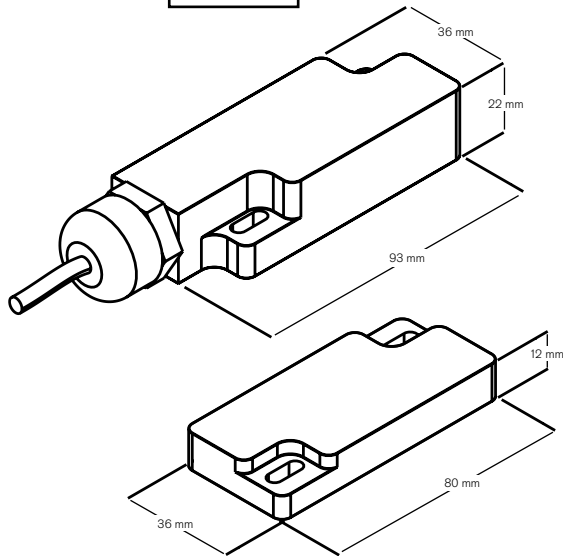
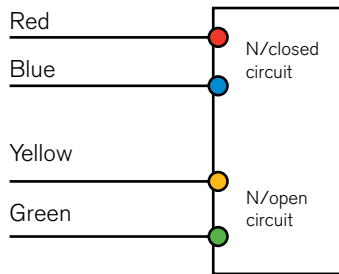
The J-Switch Safety Interlock is now available as a direct replacement for current electrical door switches. You can purchase switches and brackets one at a time or purchase an entire upgrade kit for the DSI 714 and 624 waterjet portioning systems from JBT FoodTech.

How Does It Work?

The system works by sensing the position of a machine guard during operation, replacing a current interlock unit of similar function. The two-part interlock consists of a switch and a magnetic actuator. The interlock switch is mounted to the machine and the magnetic actuator is attached to the guard. The switch reports a safe condition only when the actuator is the correct distance from the switch. If the actuator is too far from or too close to the switch, an unsafe condition is reported in the control circuit.

4 Core PVC Cable

Shown with actuator in position



What's Included?

You can purchase interlocks (switch and actuator) one at

The cost?

The cost of the kits depends on your specific needs. Contact your JBT FoodTech representative for an exact quotation as well as a calculation of your potential payback time. As always, we stand behind what we sell. One call gets it all.

a time along with mounting brackets, or you can purchase an entire retrofit kit based on your current machine configuration. The retrofit kit for stainless switches includes switches with actuators, spacers, clamps, ferrules and an installation manual. The retrofit kit for red, plastic-encased switches includes a similar list of items as well as additional mounting brackets.

J-Switch Safety System Retrofit Kit Number

	convert from	
	stainless STI	plastic encased
DSI 624	37-0207	37-0170
DSI 714	37-0202	37-0163

Note: as of August 1, 2009, if you order a red plastic-encased switch or a stainless STI switch, JBT FoodTech delivers the J-Switch Safety Interlock, part number 40-0741, as the replacement part. Remember to ask for the mounting brackets and spacers required for easy installation.

What Are The Benefits?

For customers who want to simply replace their safety interlock switches with a far more durable design, the J-Switch Safety Interlock is the right choice.

The system improves uptime and reduces maintenance cost by:

- Eliminating broken plastic switches
- Eliminating water intrusion failures
- Providing a larger operating range for more forgiving operation

Options:

- Expert installation is available as an option

To learn more about these new offerings or other DSI upgrades, visit www.jbtfoodtech.com.