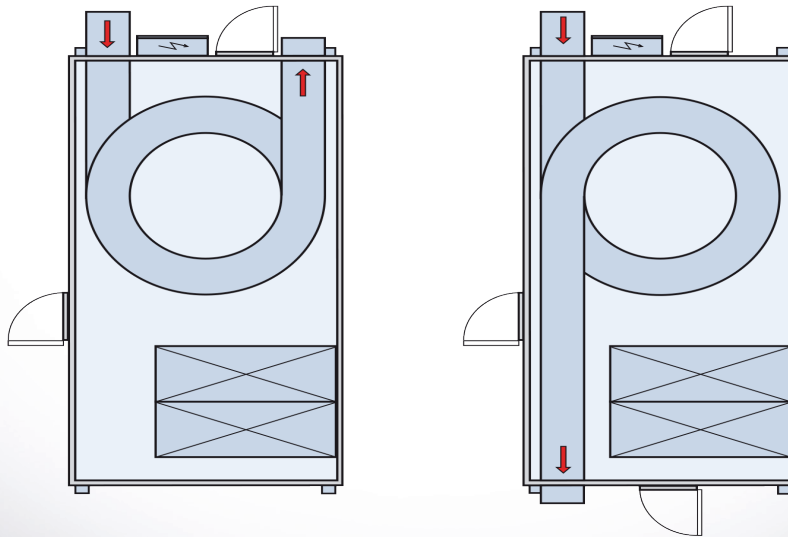




# EQUIPMENT UPGRADE KIT



## Layout Change Kit

### Change your spiral freezer's configuration

An upgrade kit can give you more throughput, greater operating safety and better hygiene on your existing equipment - with quality results.

Is your freezer operation growing, or are you running a new product that requires a product infeed/outfeed that is configured differently than your present GYRoCOMPACT® spiral freezer? If your present product infeed/outfeed cannot meet your production needs, money is lost as production throughput suffers.

If production is stopped to install a new freezer, it costs – in purchase capital and in unrealized production throughput.

#### **Your needs change**

When your freezer operation grows or you change product lines, the layout of your product infeed/outfeed may need to be changed. When changing production needs dictate a different layout, many producers assume that their only option is the purchase of a new GYRoCOMPACT spiral freezer.

JBT can offer you a cost-effective way to increase product handling and line flexibility by adapting the layout of your freezer to meet your current production needs. And you won't have to purchase a new freezer.

## We have the answer

The current layout of your product infeed/outfeed should not limit your product handling or line flexibility.

At a reasonable cost, JBT's Layout Change Kit will allow you to reconfigure your spiral freezer to meet your current production needs, helping you achieve cost-effective freezing throughput. The kit includes everything needed to change your GYRoCOMPACT spiral freezer layout. It will give your freezer operation flexibility and allow you to meet changing or expanding production needs.

## How does it work?

An JBT application specialist will consult with you to determine the optimal configuration of your GYRoCOMPACT spiral freezer. The Layout Change Kit allows you to change your infeed direction, outfeed direction, or both. For available configurations, please consult your freezer's manual.

A trained JBT technician will install and certify the changes made to the layout of your freezer to ensure that they are carried out properly.

Installation time: 1 week.

## What are the benefits?

The Layout Change Kit will allow you to change the configuration of your freezer

Once installed, it will:

- Increase product handling flexibility
- Increase line flexibility
- Reconfigure your GYRoCOMPACT freezer to meet your current production needs.

## What's included?

With the Layout Change Kit, you get:

- All infeed and outfeed rail materials that you need
- All necessary materials to create or seal openings
- Design and installation by JBT
- Change air flow baffling
- Install new upper guides or change the upper support frame
- Install a static air balance tunnel or a fan-powered tunnel
- Change the location of your Cleaning-In-Place (CIP) system (if installed)

## What does it cost?

The cost of the Layout Change Kit depends upon the changes you wish to carry out. Contact your JBT representative for an exact quotation as well as a calculation of your potential payback time.

As always, we stand behind what we sell. One call gets it all.

## The Layout Change Kit by JBT – Your Solutions Provider

**FRIGOSCANDIA**

**STEIN**

**DSI**



### United Kingdom

John Bean Technologies Ltd  
Heather Park  
Kirkton South Road, Livingston  
West Lothian EH54 7 BT  
Scotland, UK  
Phone +44 1506 857112  
info-europe@jbtcc.com

### Poland

John Bean Technologies Sp.  
z o.o.  
Ul. Przy Bazantarni 11  
02-793 Warszawa  
Poland  
Phone +38 22 894 9025  
info-poland@jbtcc.com

### France

John Bean Technologies SA  
Taverparc - Bâtiment 2.1  
62 Boulevard Henri Navier  
95150 Taverny  
France  
Phone +33 1 84 28 02 00  
info-europe@jbtcc.com

### Spain

John Bean Technologies Spain  
S.L.  
Carretera A2, Km. 34,400  
28805 Alcalá de Henares  
Madrid, Spain  
Phone +34 913 046 698  
foodtech.spain@jbtcc.com

### Russia

John Bean Technologies LLC  
ul. Petrovka 27  
Entrance 2  
RU-107031 Moscow  
Russia  
Phone: +7 495 221 87 12  
info-europe@jbtcc.com

### Sweden

John Bean Technologies AB  
Rusthällsgatan 21, Box 913  
SE-251 09 Helsingborg  
Phone +46 42 490 4000  
Fax +1 419 626 9560  
info-europe@jbtcc.com

### Germany

John Bean Technologies GmbH  
Siemensstrasse 6  
40885 Ratingen  
(Lintorf) Germany  
Phone+49 2102 9341 0  
info-europe@jbtcc.com

### Italy

John Bean Technologies SpA  
Via Mantova 63/A  
43100 Parma  
Italy  
Phone +39 0521 908411  
sales.parma@jbtcc.com



We're with you, right down the line.™

[jbtfoodtech.com](http://jbtfoodtech.com)