

Tuna Filler Model 3466



Designed to fill can size ranging from 0,5 to 2 Kg



To fill large format cans, such as institutional or family packs our Tuna Filler Model 3466 handles pre-cooked tuna in order to process higher volumes.



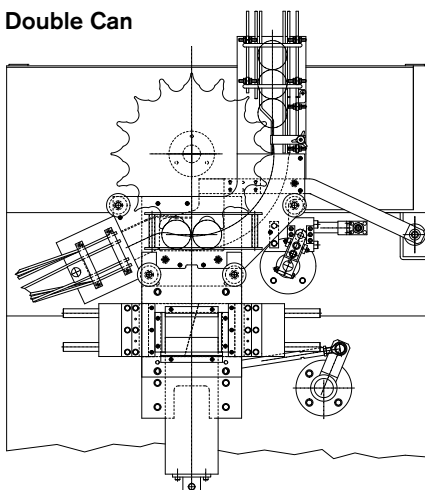
Products/Uses Application

Would you like your ideal tuna filler to fill big cans like institutional and family size pack? Would you also like it to provide high production speed, fill weight accuracy, reduced labor costs?

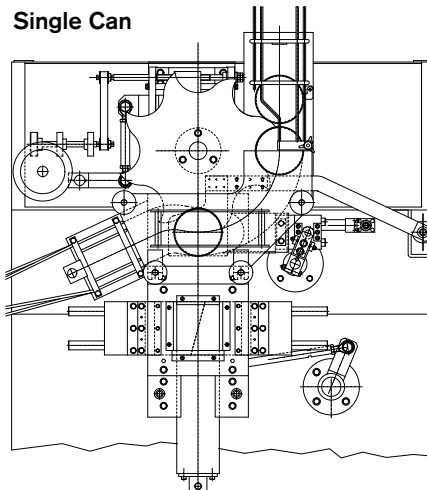
JBT's has recently developed the **Model 3466 Tuna Filler** to satisfy your needs. Our **3466** is designed to fill can size ranging from 0.5 to 2 Kg with different height and diameter according to the size of the can.



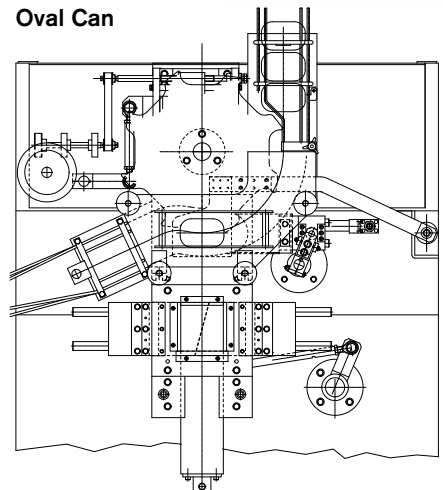
Double Can



Single Can



Oval Can



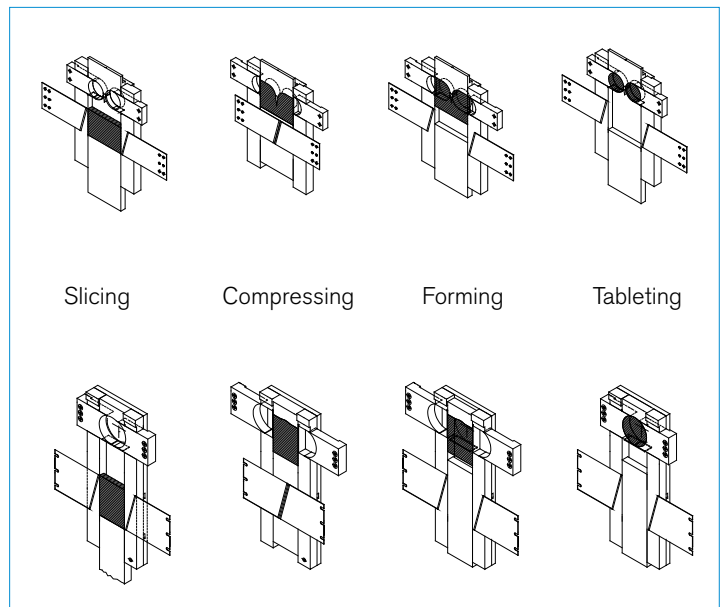
Features

- ✓ Pre-cooked and cleaned tuna is gently placed and transferred to slicing knives to obtain good "in can" appearance
- ✓ Pre-cut tuna is then brought to a uniform density for accurate weight control
- ✓ High speed forming parts shape tuna tablets and gently transfer them to the container

Benefits

- ✓ Able to fill all tuna species
- ✓ Can handle all types of tuna - loins, chunks and flakes
- ✓ Reduced investment costs for different equipment
- ✓ High filling accuracy resulting in major cost saving of pre-cooked tuna when compared to other concepts
- ✓ Flexible density control to maximize liquid absorption for both oil and water pack
- ✓ Low filling cost per can
- ✓ Less equipment required due to high operating speed and container flexibility
- ✓ Less labor cost - only one operator needed
- ✓ Floor space savings

Forming chambers

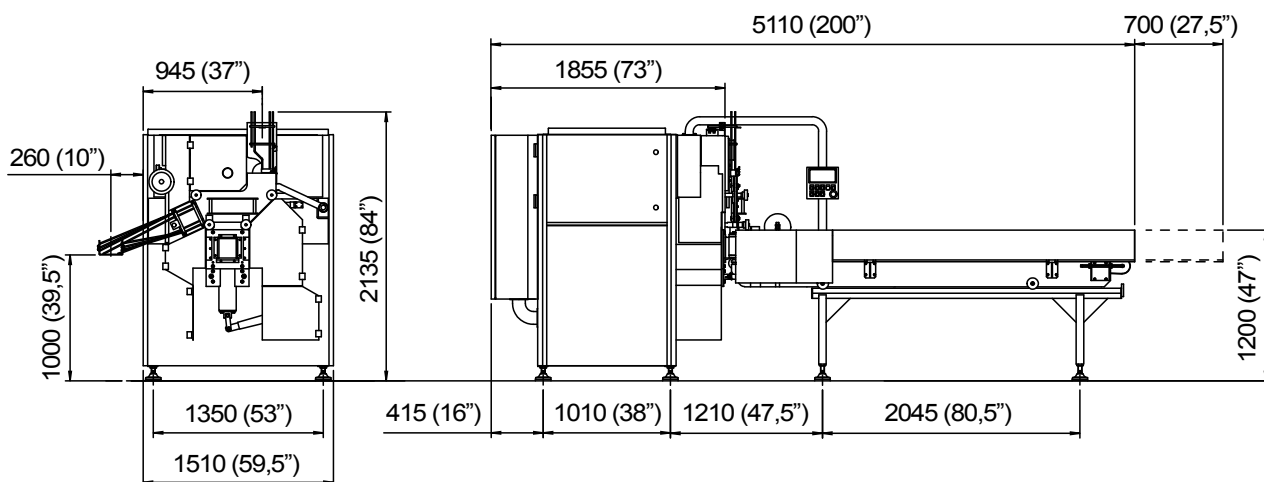


Machine configuration

- ✓ The **Model 3466** is designed to allow various cans sizes and shapes, both with single and double tablet according to customer specifications
- ✓ Easy change-over on the same diameter of cans and different height of can and tablet
- ✓ Selection of the preset recipe from the operator control panel according to the shape, to ensure proper parameter settings

| CAN SIZE | FILL WEIGHT (g) | SINGLE CANS INFEEED | | DOUBLE CANS INFEEED | | CANS FILLING OPTIONS |
|--------------------|-----------------|---------------------|-------------|---------------------|-------------|----------------------|
| | | SINGLE SHOT | DOUBLE SHOT | SINGLE SHOT | DOUBLE SHOT | |
| 401x114 99x46 | 300 | / | / | 100 | / | |
| 401x114 99x46 | 620 | / | / | 100 | 50 | |
| 603x108 150x38 | 500 | 50 | / | / | / | |
| 603x210 150x67 | 1000 | 50 | / | / | / | |
| 603x402 150x107 | 1730/2000 | 50 | 25 | / | / | |

Tuna Filler Model 3466 Specification



WE ARE YOUR SINGLE SOURCE FOR PROFITABLE PROCESSING SOLUTIONS

JBT is a leading provider of integrated food processing solutions. From single machines to complete processing lines, we enhance value and capture quality, nutrition and taste in food products. With a local presence on six continents, JBT can quickly provide our customers and partners in the food processing industry with the know-how, service, and support needed to succeed in today's competitive marketplace.

JBT DIVERSIFIED FOOD & HEALTH

FRESH PRODUCE TECHNOLOGIES | FRESH-CUT, ROBOTICS, STEAMING | FRUIT AND VEGETABLE PROCESSING | SECONDARY PROCESSING | ASEPTIC SYSTEMS | FILLING AND CLOSING | IN-CONTAINER STERILIZING | TRAY SEALING | SECONDARY PACKAGING | HIGH-PRESSURE PROCESSING | POWDER PROCESSING | TUNA PROCESSING

OUR BRANDS



Europe

John Bean Technologies SpA
Via Mantova 63/A
43122 Parma
Italy
Phone: +39 0521 908 411
Fax: +39 0521 460 897

John Bean Technologies NV
Breedstraat 3
9100 Sint-Niklaas
Belgium
Phone: +32 3 780 1211
Fax: +32 3 777 7955

John Bean Technologies Foodtech Spain S.L.
Autovía A-2, Km 34,400 - Edificio 1 y 3
28805 Alcala de Henares
Madrid, Spain
Phone: +34 91 304 0045
Fax: +34 91 327 5003

Latin America

JBT de México S de RL de CV
Camino Real a San Andrés Cholula No. 2612
Col. San Bernardino Tlaxcalancingo
72820 San Andrés Cholula, Puebla
México
Phone: +52 222 329 4902
Fax: +52 222 329 4903

North America

John Bean Technologies Corporation
400 Fairway Avenue
Lakeland, FL 33801
USA
Phone: +1 863 683 5411
Fax: +1 863 680 3672

John Bean Technologies Corporation
2300 Industrial Avenue
Madera CA 93639
USA
Phone: +1 559 661 3200
Fax: +1 559 661 3156

South America

John Bean Technologies Máq.
e Equip. Ind. Ltda.
Av. Eng Camilo Dinucci 4605
14808-900 Araraquara, São Paulo
Brazil
Phone: +55 16 3301 2000
Fax: +55 16 3301 2144

Asia Pacific

John Bean Technologies (Shanghai) Co., Ltd.
Room 1908, Hongwell International Plaza,
1600 West Zhongshan Road,
Xuhui District, Shanghai 200235,
PRC
Phone: +86 21 3339 1588
Fax: +86 21 3339 1599

John Bean Technologies (Thailand) Ltd.
No. 2525 FYI Center Building 2, 9th Floor
Unit No. 2/901-2/903, Rama IV Road
Klongtoei, Bangkok 10110
Thailand
Phone: +66 (0) 2257 4000
infoasia-jbtfoodtech@jbt.com

South Africa

John Bean Technologies (Pty) Ltd.
Koper Street
Brackenfell
Cape Town, South Africa 7560
Phone: +27 21 982 1130
Fax: +27 21 982 1136



We're with you, right down the line.™

hello@jbt.com | jbt.com

