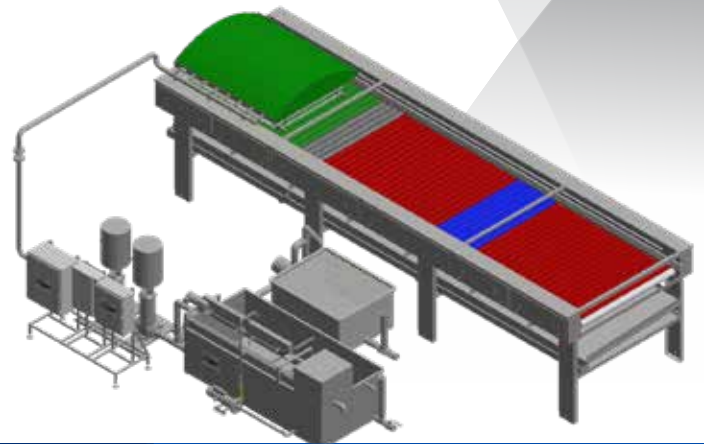


Freshgard® High Pressure Washer System



General cleaning and scale removal of citrus and avocados.

This JBT patented innovation is regarded as one of the most significant technological advances for growers and packers during the past 20 years. As the industry benchmark, Freshgard® High Pressure Washers come in models that offer a range of pressures for general cleaning and scale removal of citrus and avocados.

Product Features & Benefits

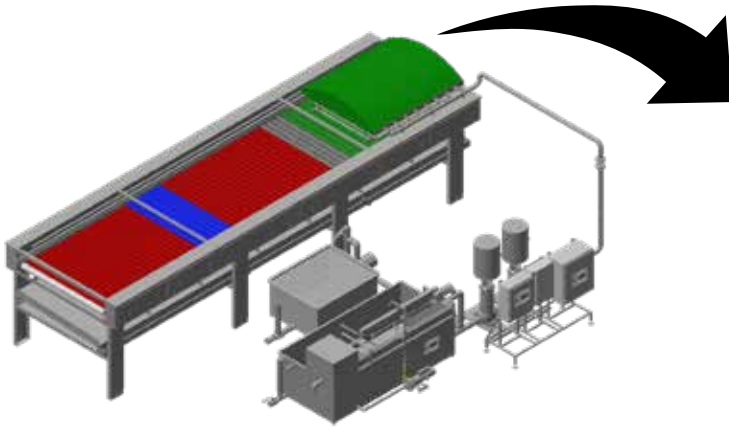
- Removes citrus sooty mold
- Removes scale without damaging fruit
- Increases packable fruit
- Proven safe on fruit - over 20 years of field use
- Recycled water system for reduced water consumption
- Adjustable pressure settings to adapt to fruit condition
- Fully automated water filtering system design
- Innovative design for low maintenance
- Option available for automated sanitizer dosing
- Can be mounted over existing brush bed
- Backed by JBT Technical Service for optimum operation

SPECIFICATIONS

ELECTRICAL REQUIREMENTS (US) 480 VAC, 3-Phase, 75-150 AMPS
(Export models will vary)

WATER PRESSURE 150-450 PSI (Depending on Model)

WATER INPUT 15-20 Gallons/Min



*Brushbed not included

For additional information on Freshgard® High Pressure Washer System and other postharvest citrus products, contact your JBT Sales Representative today.

COUNT ON JBT TO HELP PROTECT YOUR INVESTMENT

JBT's greatest value in PRoCARE® services comes from preventing unexpected costs through smart, purposeful, and timely maintenance based on unmatched knowledge and expertise. PRoCARE service packages are offered as a maintenance agreement in various service levels, depending on your production and cost management requirements.



JBT DIVERSIFIED FOOD & HEALTH

FRESH PRODUCE TECHNOLOGIES | FRESH-CUT, ROBOTICS, STEAMING | FRUIT AND VEGETABLE PROCESSING | SECONDARY PROCESSING | ASEPTIC SYSTEMS | FILLING AND CLOSING | IN-CONTAINER STERILIZING | TRAY SEALING | SECONDARY PACKAGING | HIGH-PRESSURE PROCESSING | POWDER PROCESSING | TUNA PROCESSING

OUR BRANDS



JBT Corporation

1660 Iowa Avenue
Suite 100
Riverside, CA 92507
USA
Phone: +1 951 222 2300
Fax: +1 951 788 1761
fptinfo@jbt.com

JBT Corporation

400 Fairway Avenue
Lakeland, FL 33801
USA
Phone: +1 863 683 5411
Fax: +1 863 680 3672

JBT Corporation

8250 W. Doe Avenue
Visalia, CA 93291
USA
Phone: +1 559 651 8300
Fax: +1 559 651 2029
citrus.info@jbt.com

JBT Corporation

3206 Industrial 33rd St.
Fort Pierce, FL 34946
USA
Phone: +1 772 461 5471
Fax: +1 772 464 078

JBT Corporation

2007 Ahtanum Road
Yakima, WA 98903
USA
Phone: +1 509 952 8802
Fax: +1 509 457 4837

John Bean Technologies (Shanghai) Co., Ltd.

Room 3002-3003
Haitong Security Building
No. 689 Guangdong Road
Shanghai 200001 China
Phone: +86 21 6341 1616
Fax: +86 21 6341 0708

John Bean Technologies (Pty) Ltd.

Koper Street
Brackenfell 7560
Cape Town
South Africa
Phone: +27 21 982 1130
Fax: +27 21 982 1136

John Bean Technologies (Thailand) Ltd.

John Bean Technologies (Thailand) Ltd.
No. 2525 FYI Center Building 2, 9th Floor
Unit No. 2/901-2/903, Rama IV Road
Klongtoei, Bangkok 10110 Thailand
Phone: +66 (0) 2257 4000
infoasia-jbtfoodtech@jbt.com

John Bean Technologies De México, S. De R.L. De C.V.

Camino Real a San Andrés
Cholula No. 2612
Col. San Bernardino Tlaxcalancingo
San Andrés Cholula, Puebla
CP 72820 México
Phone: +52 222 329 4902
Fax: +52 222 329 4903 ext 109



We're with you, right down the line.™

jbtproducesolutions.com | jbt.com

