

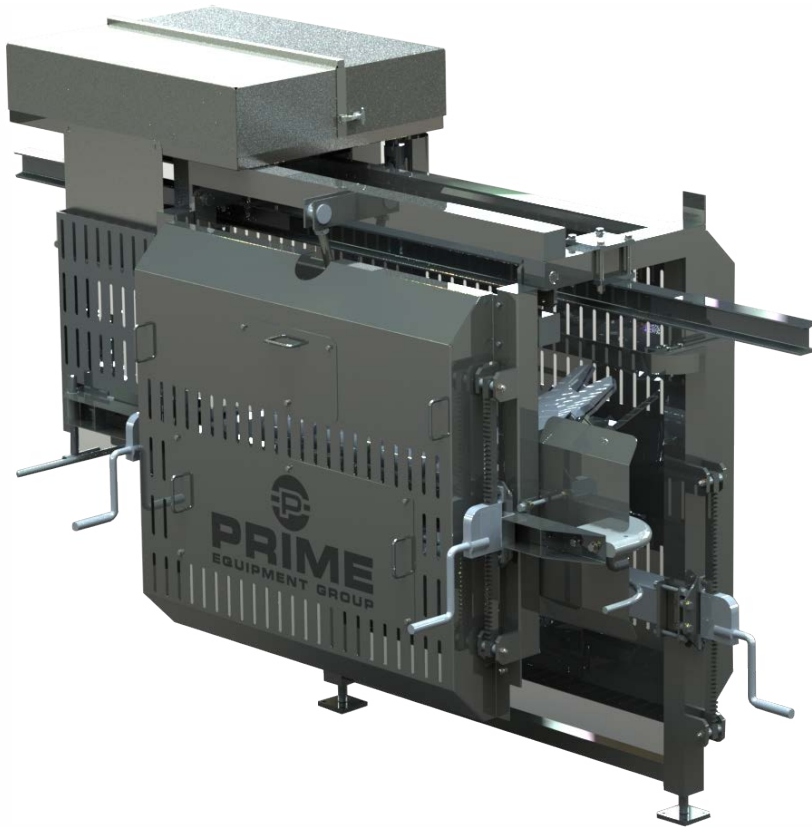


**STRONGER  
TOGETHER**

**PRIME  
EQUIPMENT GROUP**  
*Simple Solutions for Poultry Processing*

## TURKEY HALVER

Model No. HM-1T



The Prime HM-1T Turkey Halving Machine automatically and effectively separates the front half from the saddle. The HM-1 can be adjusted to remove more rib bones or saddle to maximize yield. Working in conjunction with the BSC-Series Back Skin Cutter, The Halving Machine can be adjusted to completely cut front halves from the saddle or leave the front half hanging by the back skin to drop in a location downline from the halver.

See Prime in action: View  
[www.YouTube.com/PrimeEquip](http://www.YouTube.com/PrimeEquip)

Viewing online?  
Click here

LINE-DRIVEN SOLUTION FOR HALVING  
DESIGNED TO ALLOW FOR PRODUCTION  
FLEXIBILITY

EASY ADJUSTMENT FOR CHANGES IN  
PRODUCT REQUIREMENTS

WORKS WITH VARIOUS OVERHEAD LINES  
TO IMPROVE YIELDS



### PRIME ROI:

REQUIRES NO ADDITIONAL POWER OR OPERATOR

VERSATILE: ADJUSTABLE FOR DIFFERENT PROCESSING  
OPTIONS

WORKS WITH THE BSC-1 BACK SKIN CUTTER TO ALLOW  
FRONT HALF TO BE DROPPED AWAY FROM THE HALVER



2001 Courtright Road  
Columbus, OH 43232 USA



Please call  
**+1 (614) 253-8590**



Send us an email  
[Sales@PrimeEquipmentGroup.com](mailto:Sales@PrimeEquipmentGroup.com)



More info  
[PrimeEquipmentGroup.com](http://PrimeEquipmentGroup.com)

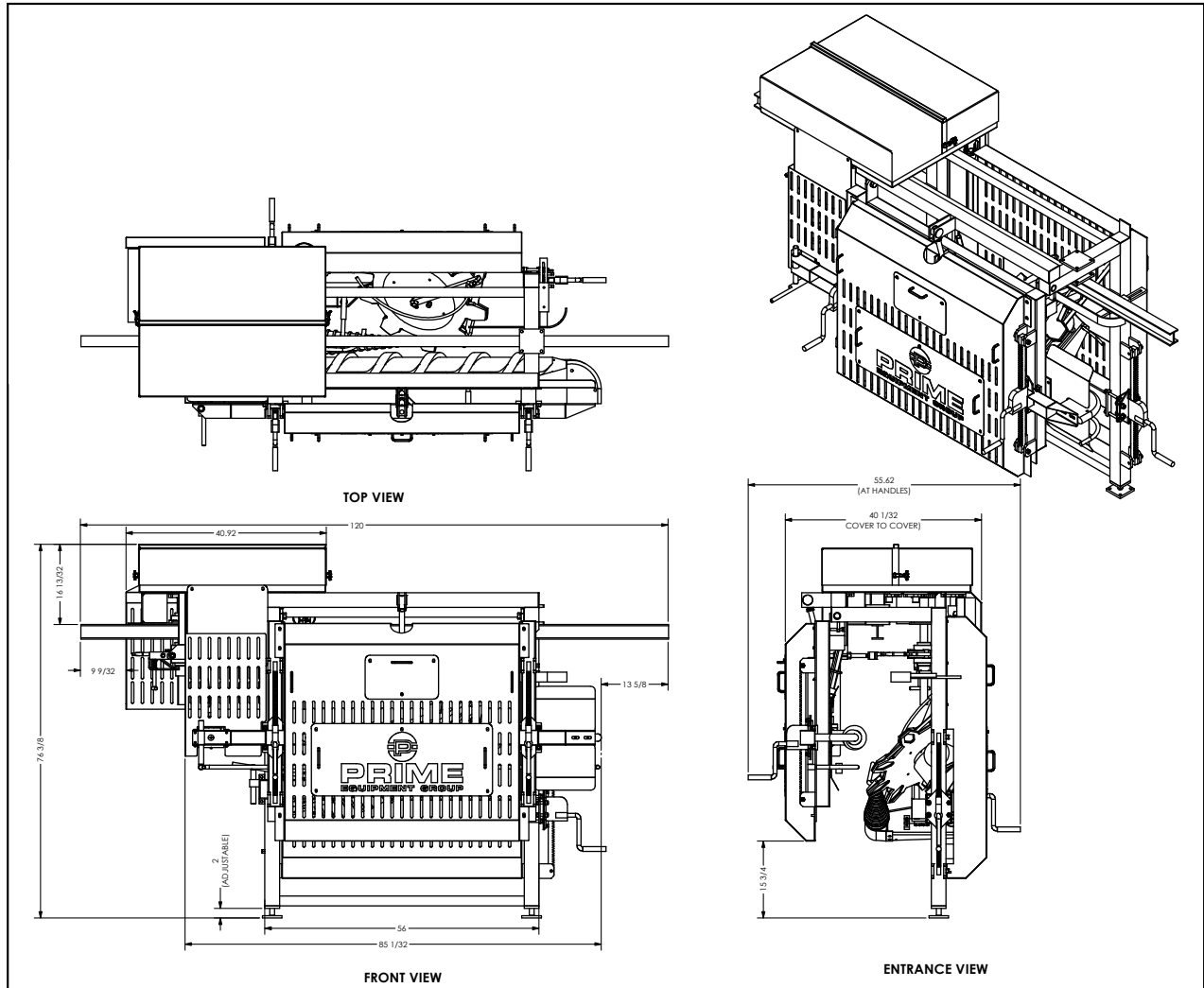


**STRONGER  
TOGETHER**

**PRIME  
EQUIPMENT GROUP**  
Simple Solutions for Poultry Processing

# TURKEY HALVER

Model No. HM-1T



## TECHNICAL SPECIFICATIONS

Electrical Requirements:	HM1-T: Line driven, no motor BSC: 1 (1) 2 hp motor w/brake; 480V, 3 ph, 60 Hz
Water Requirements:	None
Air Requirements:	None
Net Weight:	1,200 pounds
Production rate:	Up to 50 toms/min; 60 hens/min
Note: Specifications and rates are accurate at time of publication	



2001 Courtright Road  
Columbus, OH 43232 USA



Please call  
**+1 (614) 253-8590**



Send us an email  
[Sales@PrimeEquipmentGroup.com](mailto:Sales@PrimeEquipmentGroup.com)



More info  
[PrimeEquipmentGroup.com](http://PrimeEquipmentGroup.com)