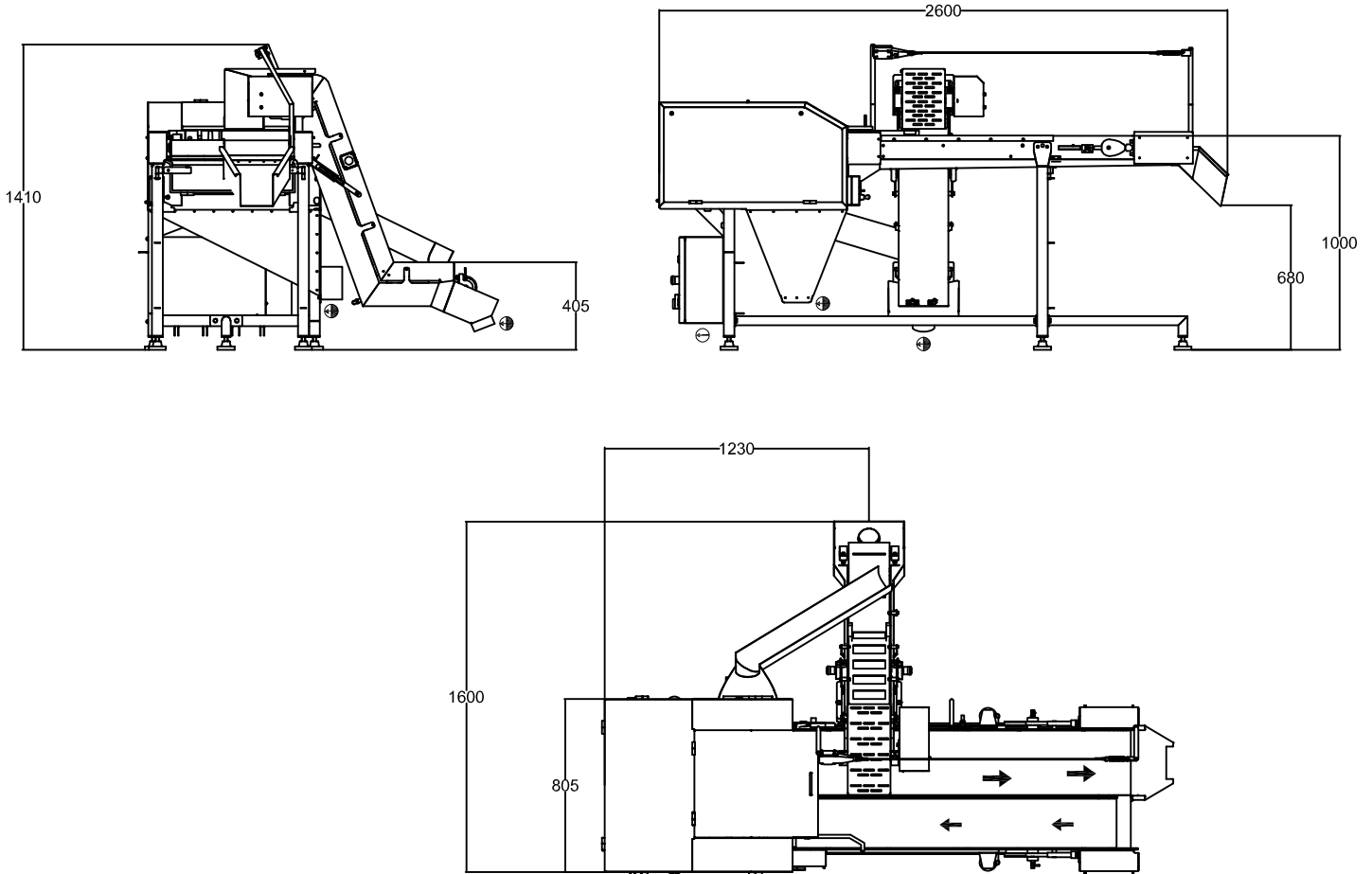








## DATA SHEET - RA03K-TT (TURKEY)



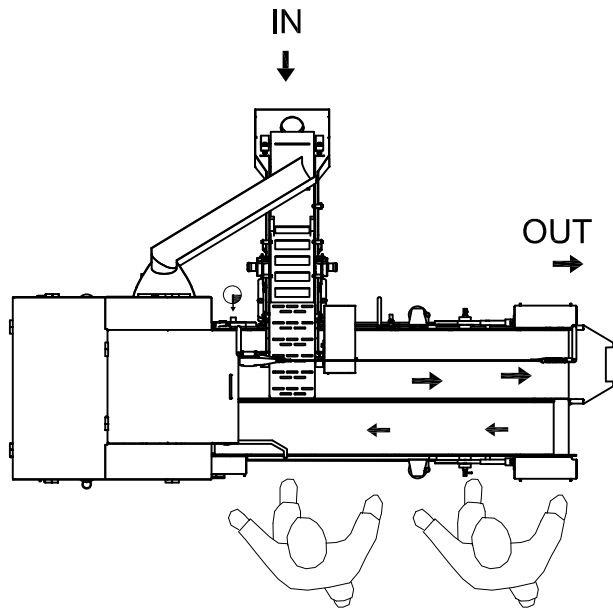
CAPACITY	2.500 Gizzards/h	CONNECTION	 DRAIN	6" OD (Ø152,00mm)
WEIGHT	350 kg	CONNECTION	 DRAIN	4" OD (Ø101,60mm)
CONSUMPTION  WATER	-	CONNECTION	 WATER	BSP 1"
CONSUMPTION  AIR	-	CONNECTION	 AIR	-
CONSUMPTION KW	1,65 kW	TENSION		220/440 VAC
DIMENSIONS IN MILIMITERS (mm)				



**TECTRU S/A**  
**Peças e Máquinas Industriais**  
 Chapecó-SC-Brasil TEL.+55 49 3025.8100  
 Rua Fernando Machado 1797-d Bairro: São Cristóvão

DATA SHEET - RA03K-TT (TURKEY)

A



A ( ) LEFT MACHINE

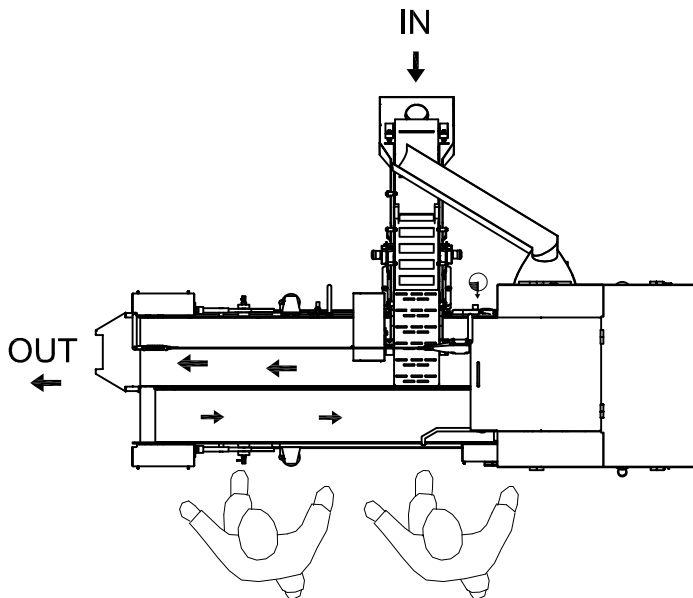
B

C

D

E

F



B ( ) RIGHT MACHINE



**TECTRU S/A**  
**Peças e Máquinas Industriais**  
Chapecó-SC-Brasil TEL.+55 49 3025.8100  
Rua Fernando Machado 1797-d Bairro: São Cristóvão