



**STRONGER  
TOGETHER**

**PRIME  
EQUIPMENT GROUP**  
*Simple Solutions for Poultry Processing*

## TURKEY GIZZARD HARVESTER

Model: GH-1T



The GH-1T Gizzard Harvester from Prime Equipment Group is a high-capacity, efficient solution for separating heart and liver from turkey gizzards. Placed adjacent to the evisceration line and fed by evis workers as they remove internal organs, the GH-1T uses a rotary blade to slice between the heart/liver and the gizzard.

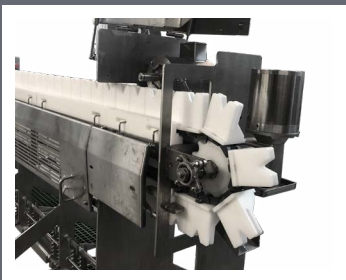
See Prime in action: View  
[www.PrimeEquipmentGroup.com/videos](http://www.PrimeEquipmentGroup.com/videos)

Viewing online?  
Click here

SEPARATES HEART/LIVER FROM  
GIZZARD/INTESTINES

ERGONOMICALLY DESIGNED FOR  
EASE OF USE


HEAVY-DUTY, USA-MADE SIMPLE  
SOLUTION FOR GIZZARD PROCESSING





### PRIME ROI:

HIGH-CAPACITY THROUGHPUT SAVES LABOR VS. HAND  
SEPARATION

PAIRS WITH PRIME'S GS-T GIZZARD STRIPPER FOR A  
FULLY AUTOMATED GIZZARD-PROCESSING SOLUTION

 2001 Courtright Road  
Columbus, OH 43232 USA

 Please call  
**+1 (614) 253-8590**

 Send us an email  
[Sales@PrimeEquipmentGroup.com](mailto:Sales@PrimeEquipmentGroup.com)

 More info  
[PrimeEquipmentGroup.com](http://PrimeEquipmentGroup.com)

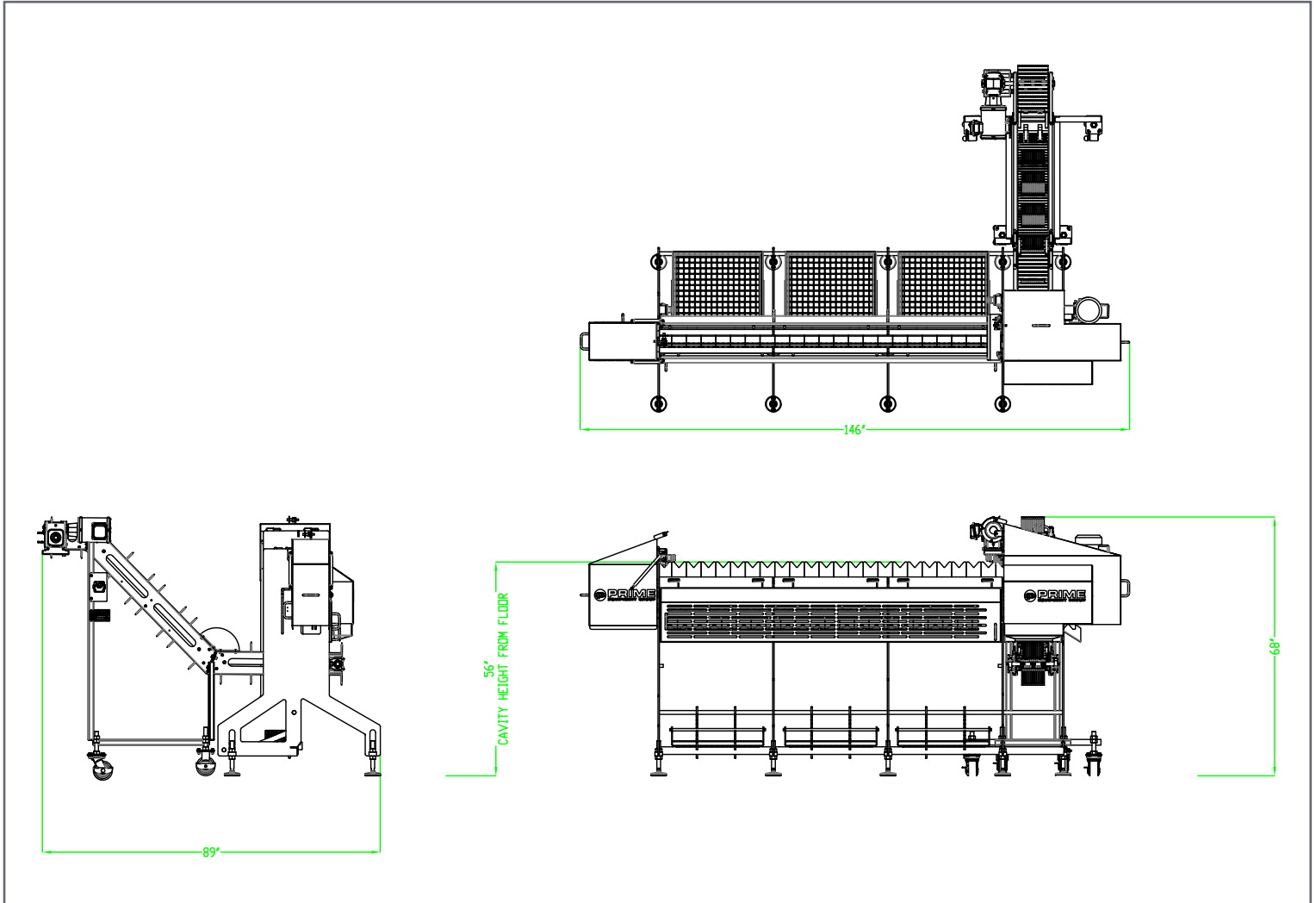


**STRONGER  
TOGETHER**

**PRIME  
EQUIPMENT GROUP**  
*Simple Solutions for Poultry Processing*

# TURKEY GIZZARD HARVESTER

Model: GH-1T



## TECHNICAL SPECIFICATIONS

Electrical:	(3) 0.5 HP motors 480V 15 amp
Water:	(1) 1/4" NPT 1 GPM 40 PSI
Weight:	1750 pounds
Production Rate:	55 packs/min plus
NOTE: Specifications are accurate at time of publication	