

**STRONGER
TOGETHER**

**PRIME
EQUIPMENT GROUP**
Simple Solutions for Poultry Processing

BACK SKIN CUTTER

Model BSC-1



The **BSC-1 Back Skin Cutter** is designed to work with the HM-Series Halver to fine-tune the location of the skin cut between the front and back halves. This allows for extra yield to remain with either half. Additionally, the BSC-1 enables the front half to be dropped at a location downline from the halver for ease of product flow.

See Prime in action: View
www.PrimeEquipmentGroup.com/videos

Viewing online?
Click here

LOCATED DOWN LINE FROM HALVER
ALLOWS FINE-TUNE OF SKIN CUT TO
INCREASE YIELDS
CAN DROP FRONT HALF AWAY
FROM HALVER



PRIME ROI:

MAXIMIZES YIELD AS DESIRED BY LEAVING EXTRA
SKIN ON FRONT HALF OR BACK HALF
ELIMINATES WING DAMAGE AND WING PINCH POINTS

2001 Courtright Road
Columbus, OH 43232 USA

Please call
+1 (614) 253-8590

Send us an email
Sales@PrimeEquipmentGroup.com

More info
PrimeEquipmentGroup.com

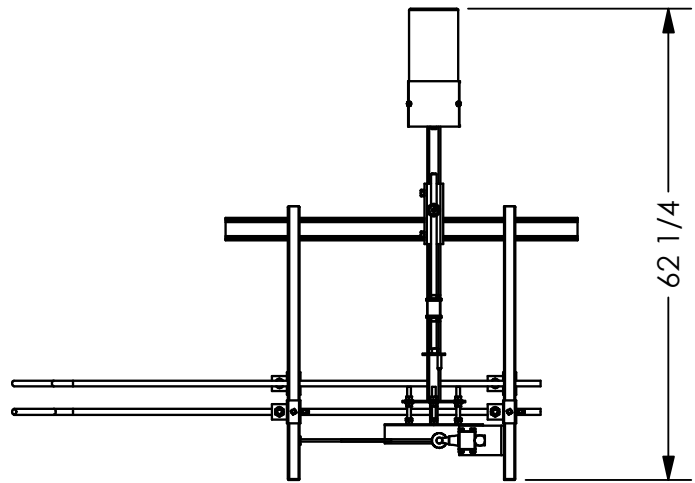
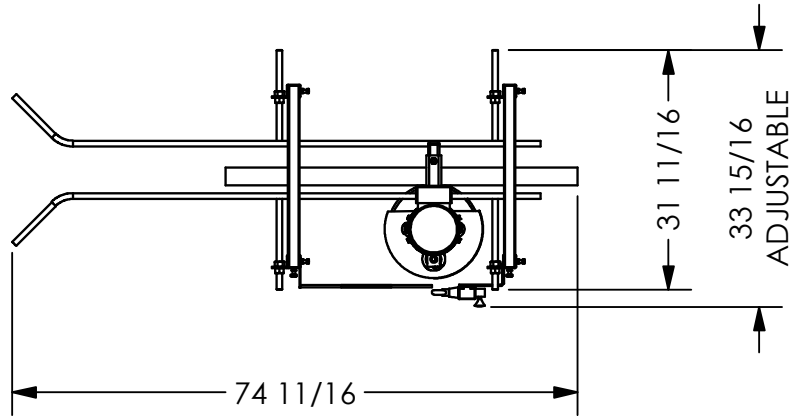
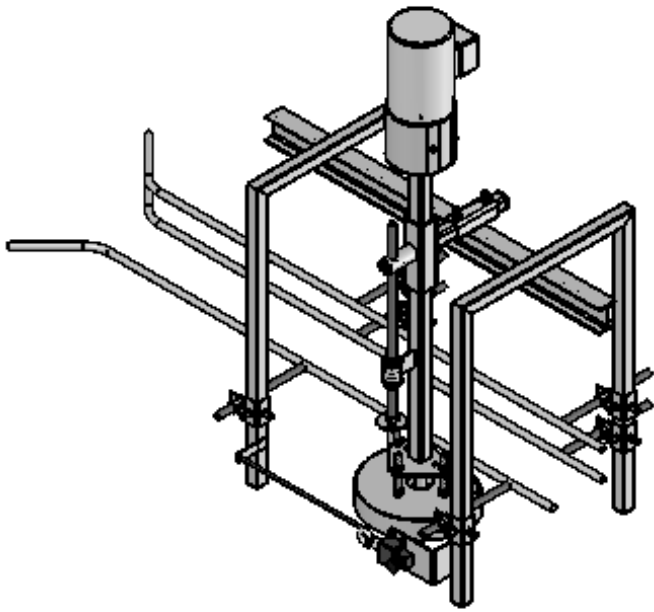


**STRONGER
TOGETHER**

**PRIME
EQUIPMENT GROUP**
Simple Solutions for Poultry Processing

BACK SKIN CUTTER

Model BSC-1



TECHNICAL SPECIFICATIONS

Electrical Requirements:	(1) 1 hp motor, 480 volts
Water for blade:	1/4" NPT, plant pressure
Weight:	400 lbs
Production Rate:	Variable with line speed
NOTE: Specifications are accurate at time of publication	



2001 Courtright Road
Columbus, OH 43232 USA



Please call
+1 (614) 253-8590



Send us an email
Sales@PrimeEquipmentGroup.com



More info
PrimeEquipmentGroup.com