



Automated Transport System *For the Healthcare Industry*

IMPROVING PATIENT CARE, STAFF EFFICIENCY AND SATISFACTION



“They are very forward-thinking,
and they want to keep future
technology in front of you...”

Director – Logistics & Distribution
Confidential Hospital Client

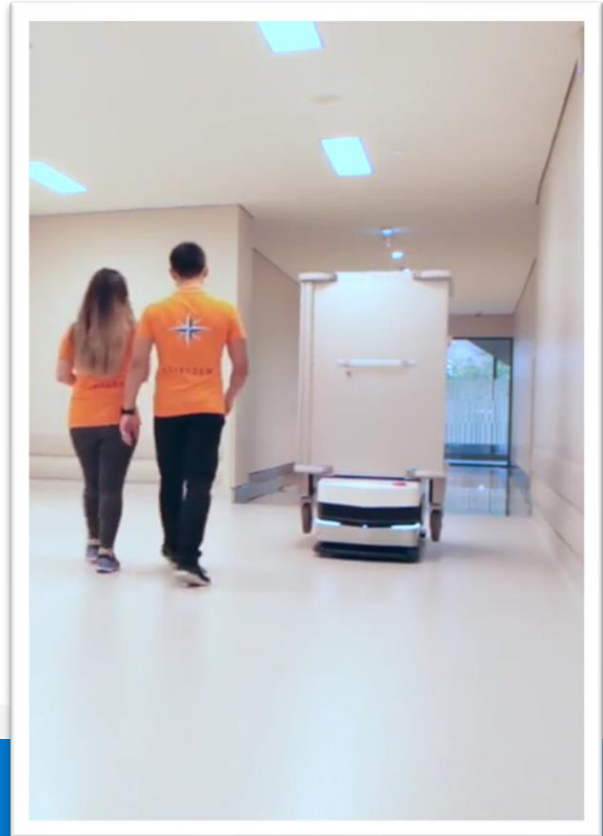


An Intra-Logistic Solution for Hospitals

JBT is a leading global supplier of robotic medical equipment with over 30 years of experience in the healthcare industry. JBT has successfully delivered millions of supplies to patients and hospital staff and has more than 700 of our 5,500 vehicles installed in hospitals alone.

Benefits include:

- Improved return on investment (ROI)
- Reduced labor costs
- Improved patient care
- Elevator, automatic door, and automatic cart washer interfacing
- Coordination with OR schedules
- Increased efficiency
- More staff hours dedicated to patients
- Reduced number of staff injuries
- Heightened safety and security
- Reliable delivery accuracy



Flexible systems that fit your needs.

- AGV Material movements are recorded 24/7 via connection to a central command center
- Scalable solutions
- Flexible vehicle assignments
- Real-time system monitoring
- Direct communication with vehicles





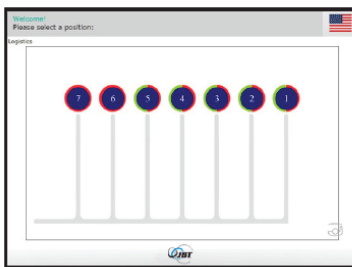
An Intra-Logistic Solution for Hospitals

Handling the toughest jobs.

Automate all routine material movements. Control deliveries via our automatic scheduling tool or on-demand, user-friendly touchscreens.



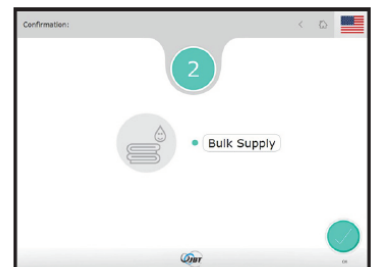
Operating the Touchscreen | FAST • SIMPLE • SAFE



First swipe an ID card at the access terminal. Then, simply touch the position that corresponds with the location of the cart to be sent.



Next, select the type of cart to be sent by touching the appropriate icon.



Finally, select the cart's destination. Options are limited to appropriate locations.

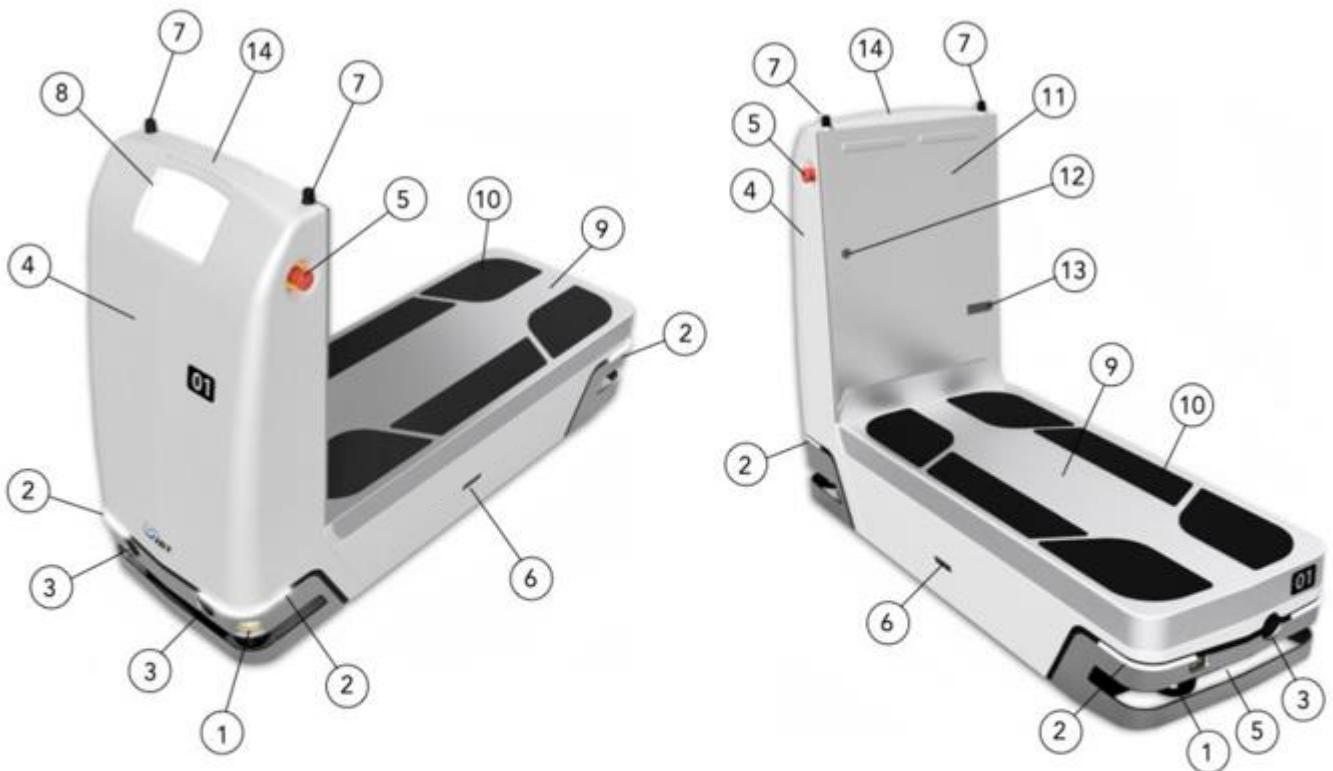


Vehicles built to deliver safely.

At JBT, safety is our top priority. Each vehicle comes equipped with front and rear fail-safe, safety-rated sensors, which ensure the safety of people moving in the vicinity of our vehicles. The on-board, menu-driven, color touch-screens make it simple to safely interact with individual vehicles.

Everything adds up to safe, simple, and reliable vehicles for material transport.

L-Shaped AGV



- | | | |
|---------------------|--------------------------------|--|
| 1 - Laser scanner | 6 - Realsense Camera | 11 - Rear Removable Cover |
| 2 - Flashing lights | 7 - Antenna | 12 - Cart Door Detect |
| 3 - Realsense Lidar | 8 - 10.1" Touch Screen Display | 13 - Bar Code Scanner Window |
| 4 - Removable Cover | 9 - Lift Deck | 14 - Covered Seat for:
Keyswitch - Safety Reset
Pedant Connettor |
| 5 - E-stop | 10 - Rubber Grip | |



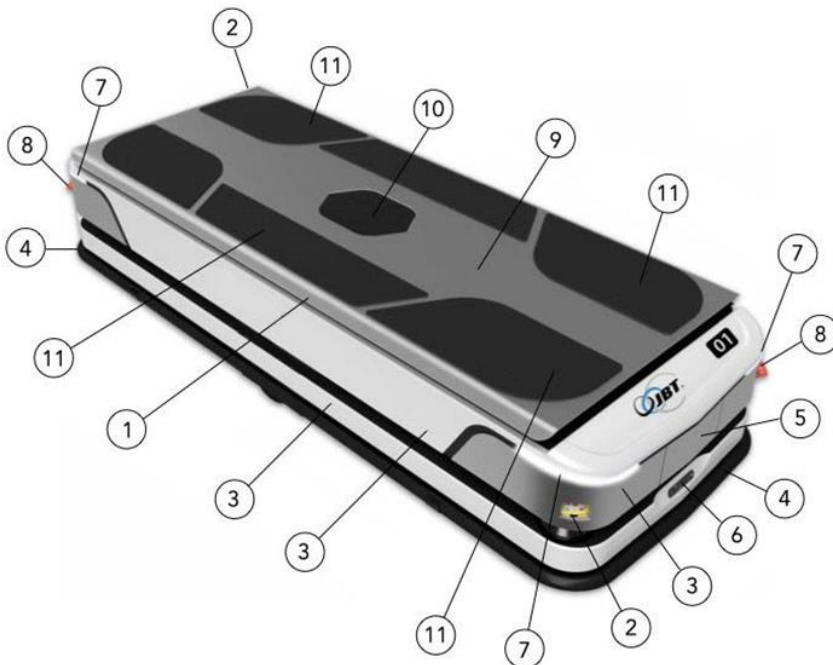
Vehicles built to deliver safely.

Drawer AGV



- 1 - Drawers
- 2 - Laser scanner
- 3 - Plastic (*Painted*) or E-glass (*Painted*) cover
- 4 - Covered Manual control
- 5 - Flashing lights
- 6 - E-stop
- 7 - 10.1" Touch Screen Display

Low Profile AGV



- 1 - Self-alignment for trolleys
- 2 - Laser scanner
- 3 - Carbon+Kevlar® (*Painted*) or E-glass (*Painted*) cover
- 4 - Sensitive profile
- 5 - Covered Manual control
- 6 - 3D camera
- 7 - Flashing lights
- 8 - E-stop
- 9 - Stainless steel lift cover
- 10 - RFID reader
- 11 - Grip surface

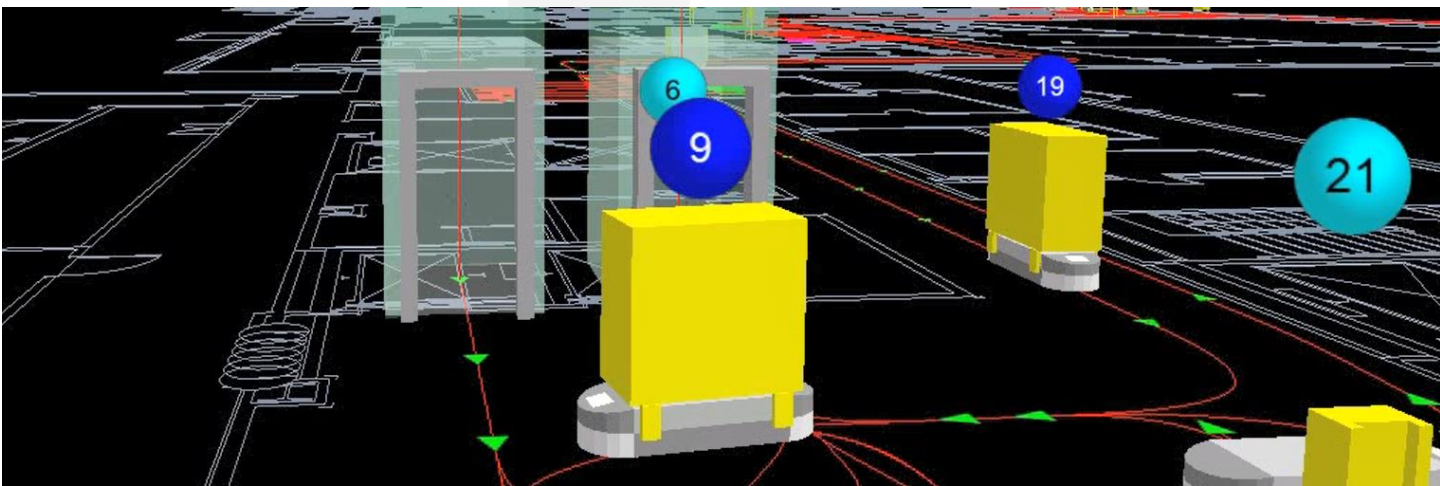


Software designed to perform.

SGV Manager software optimizes your material movement system. By communicating directly with your fleet of vehicles, it makes intelligent decisions and prioritizes tasks. Providing complete vehicle control, SGV Manager creates harmonious movement across your entire system. From interfacing with elevators, doors, or cart washers to monitoring material movement, SGV Manager actively manages the system for maximum productivity and efficiency, whether you operate 5-20-50-100 or more vehicles. It does the thinking for you.

Key Software Functions:

- User Interface - intuitive, web-like operation for ease of use
- Virtual View - provides real-time, virtual view of system operation
- Vehicle Health - shows load status, location, battery level, safety sensors, & order ID
- Real-Time Delivery Updates - displays vehicle ID, cart ID, & destination; tracking & history
- Elevator Status - indicates name, state, availability, substitution options, fire mode
- Schedule Status - shows cart transport schedules by type, day of the week, & time of day
- Paging - announces cart's arrival to staff members
- Reports - includes cart inventory, order detail, vehicle utilization, charging, vehicle & system status, cart movement, & historical data; exportable to PDF or Excel formats





The right support prescription.

Consider JBT your partner, not just your supplier.

At JBT, we work with you in every single step of the automation process, and we won't disappear after finishing installation. By tailoring support to fit your company's needs, we provide the perfect level of service for you. For every project, our certified technicians travel to site to personally perform the installation. Plus, our specialists train your staff on the vehicles and the system throughout this process. We are also available 24/7 in case you need help. Your problems become our problems, and our dedicated customer support staff answers your questions and resolves any issues.

Hoping for further automation?

We also provide system additions and expansions, so you won't have to start fresh.

Want your own team of in-house experts?

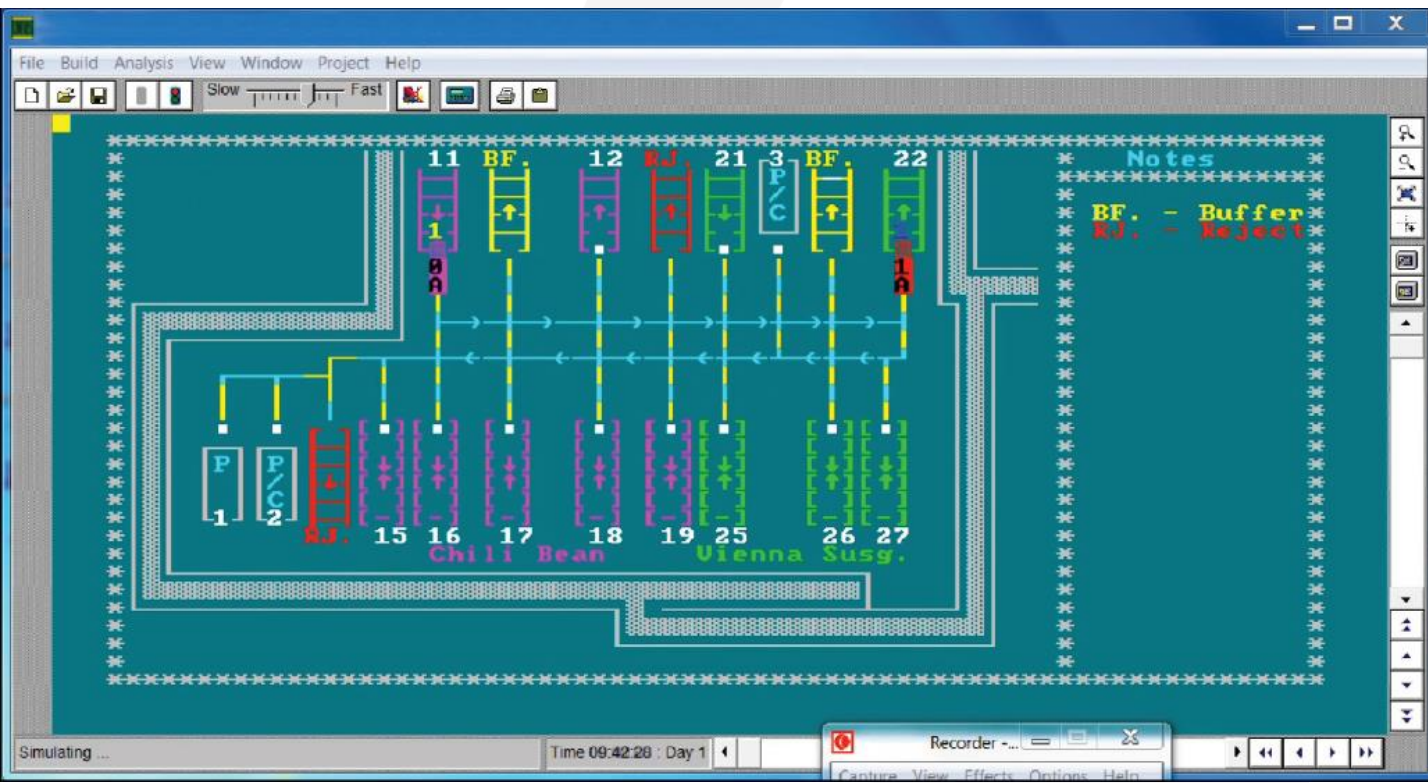
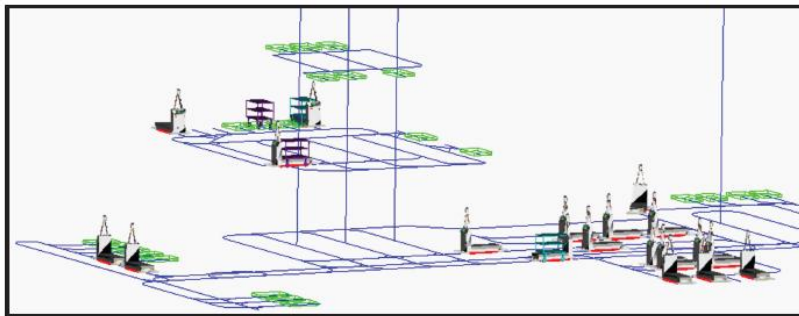
Sounds good. We put together manuals and documentation that will walk you through everything. But remember we're here whenever you need us.





Your virtual engineering team.

Experience - Our applications engineers have encountered the most difficult automation challenges and have developed solutions to overcome them. In each and every project, we use this experience to create a system that best supports your needs. Plus, we start testing before we build any vehicles. By conducting a computer-based simulation of material flow for your specific project, JBT makes sure that your hospital runs with optimum efficiency. This helps to guarantee that materials arrive according to your schedule. As a result, your staff has more time to perform meaningful work. We listen to your needs and shape our solution to fit them. Our process allows us to solve problems before they even arise, and our flexible solutions will continue to analyze and support you in the future.





At JBT, we create a unique Intra-Logistics Solution that meets your specific needs. Our ATLIS vehicles become an integral part of your medical equipment in your hospital, supporting the achievement of more efficient patient care. We have already helped hospitals around the world save millions of dollars and improve their return on investment. Partner with us and experience JBT's custom Intra-Logistic Solution working for you!

www.jbtc.com/automated-systems

NORTH AMERICA

John Bean Technologies Corp.
400 Highpoint Drive
Chalfont, PA 18914 USA
Phone: 215-822-4600
Fax: 215-822-4553
sgv.sales@jbtc.com

EUROPE

John Bean Technologies Ltd.
Unit VI Winchester Avenue
Blaby Industrial Park
Blaby Leicester, UK, LE8 4GZ
Phone: +44 116 264 2250
Fax: +44 116 264 2279
uksgvsales@jbtc.com