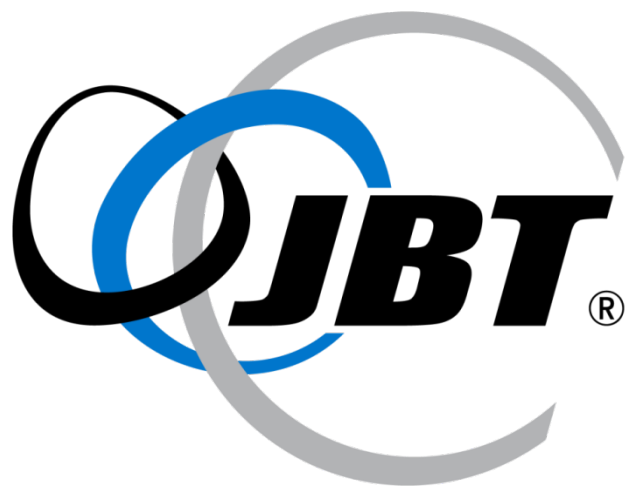




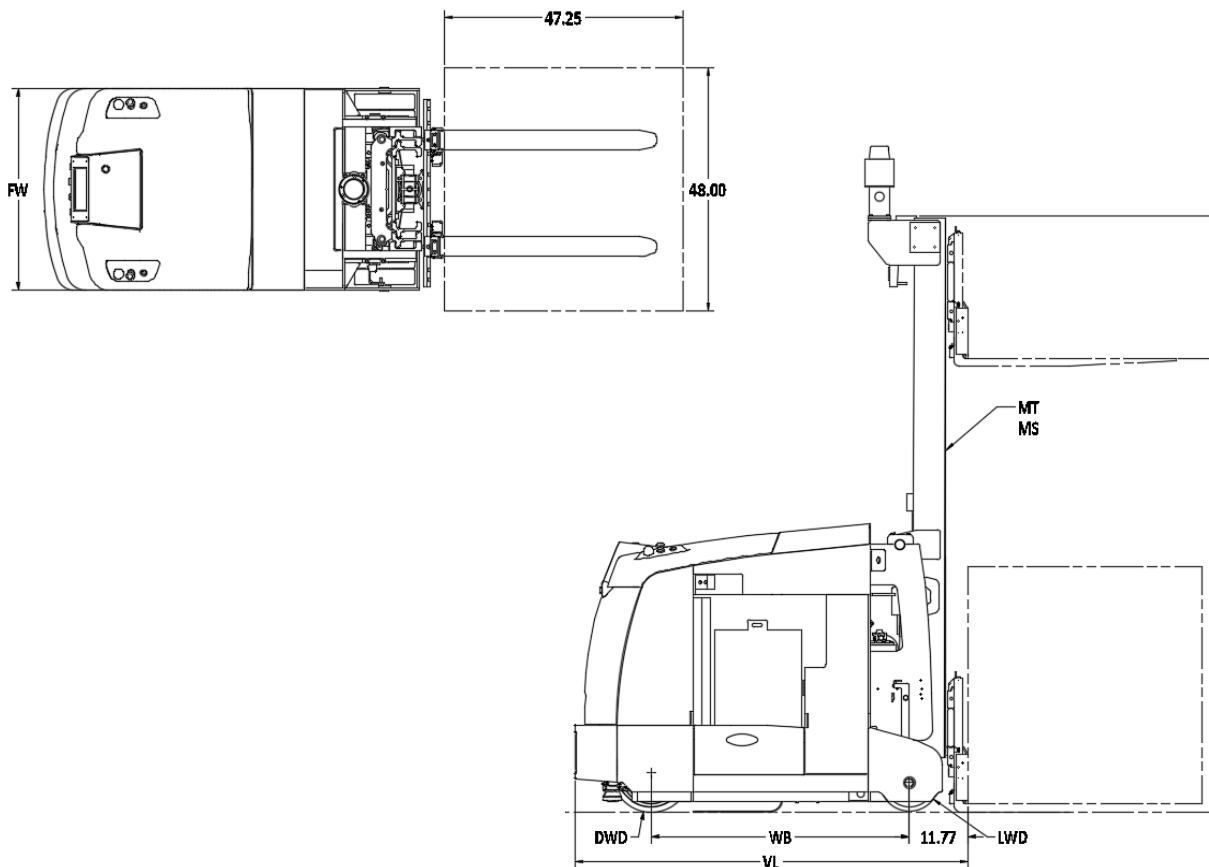
**CB 2500 AGV**



## Vehicle Features

- Small footprint for greater maneuverability
- Flexible service to racking, conveyors, stands, etc.
- Capable of block stacking various load types

## Vehicle Specifications\*



<b>Drive</b>	Electric	<b>Brakes</b>	Electromechanical	<b>Lift Capacity</b>	2500 Kg
<b>Power Operating Power</b>	48VDC Battery	<b>Lift Power</b>	Hydraulic		<b>5,500 lbs. Max.***</b>
<b>Type</b>	Sealed Lead-Acid; Lilon	<b>Elevated Height</b>	up to 6 m / 236"	<b>Wheels</b>	
<b>Steering</b>	Steer / Drive	<b>Lift Speed</b>	4"/ Sec.		
<b>Controls</b>		<b>Travel</b>	Bi-Directional	<b>Drive Wheel</b> 35 cm <b>13.5"</b> Diameter <b>Two Rear Wheels:</b> 30cm <b>11.8"</b> Diameter x 10cm <b>4"</b>	
<b>Automatic:</b>	Laser Guided	<b>Travel Speed</b>	1.8 m/s <b>350F/M**</b>		
<b>Manual:</b>	Pendant Controller	<b>Safety Features (Standard)</b> Flashing Lights, Emergency Stop Buttons, Obstacle Sensing Bumpers, Horn			

\*Specifications subject to change    \*\*Variable speeds available    \*\*\*Load Size and Lift Height Dependent