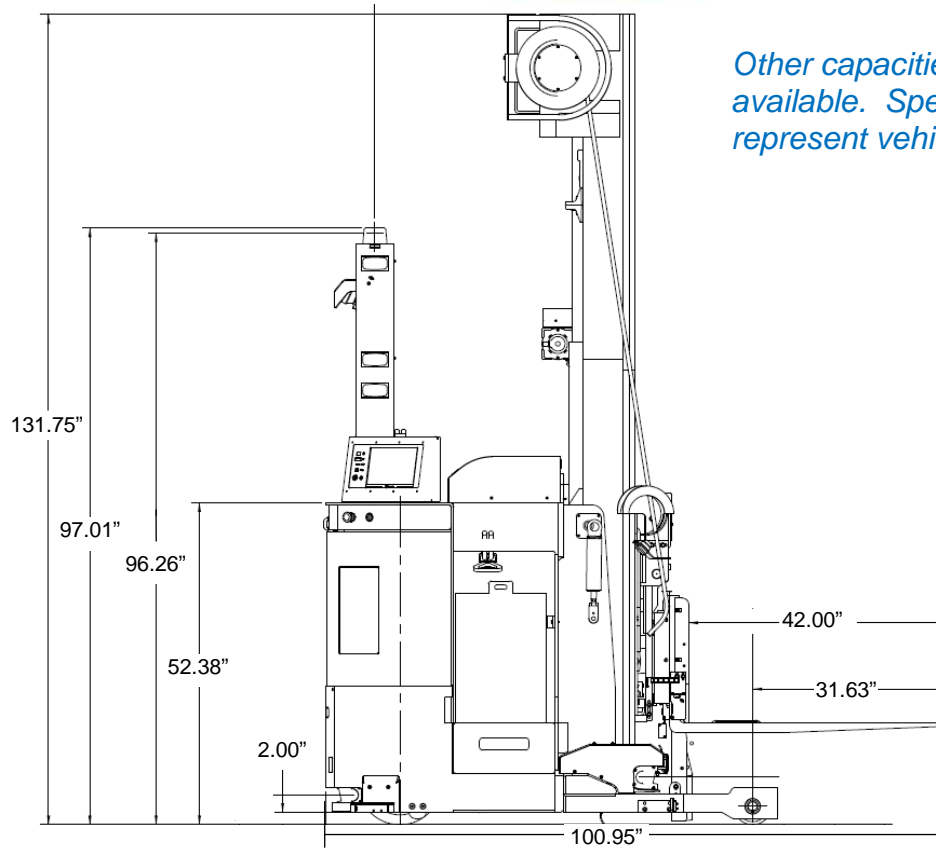


Pantograph Vehicle Features:

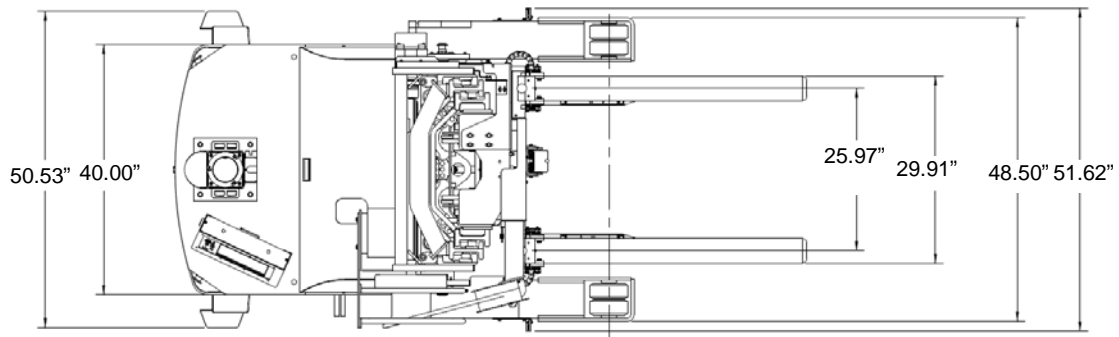
- Smaller/shorter foot print allows for tighter turning radius and greater mobility
- Handles loads up to 1270 kg **2,800 lbs**
- Places Loads up to 7.5 meters high **24 feet**
- Pantograph reaches out 60 cm **24 inches**
- Fork load sensors eliminate product damage
- 360 degree protection with front and rear optical detectors for maximum safety

Other capacities and sizes available

Vehicle Specifications*



Other capacities and sizes available. Specifications represent vehicle pictured.



Drive	Electric	Brakes	Electromechanical	Lift Capacity	2800 lbs. Max.***
Power Operating	48VDC	Lift Type	Hydraulic with		1270 kg
Power Type	Battery		Pantograph Scissor	Travel	Bi-Directional
	Sealed Lead-Acid	Lift Height	24' 7.5m	Travel Speed	1.52 m/s 300 FPM**
Steering	Steer / Drive	Lift Speed	9"/sec 23cm/sec	Wheels	
Controls		Weight		Drive Wheel	41 cm 16" Diameter
Automatic:	Laser Guided	• with Battery	9050 lbs. 4105 kg	Two pair of Rear Wheels:	
Manual:	Pendant Controller	• w/o Battery	7010 lbs. 3180 kg		13cm 6" Diameter x 6.5cm 2.50"
Safety Features Flashing Lights, Emergency Stop Buttons, Obstacle Detection Bumpers, Side Bumpers, Horn					

* Specifications subject to change ** Variable speeds available *** Load size and lift height dependent

www.jbtc-agv.com



John Bean Technologies Corp.
400 Highpoint Drive
Chalfont, PA 18914 USA
Phone: 215-822-4600
Fax: 215-822-4553
sgv.sales@jbtc.com

John Bean Technologies SA
106 Bd Heloise
Les Harmoniques
95101 Argenteuil Cedex, France
Phone: +331 399 646 59
Fax: +331 399 646 74
contact@jbtc-agv.fr

John Bean Technologies Ltd.
Unit VI Winchester Avenue
Blaby Industrial Park
Blaby Leicester, UK, LE8 4GZ
Phone: +44 116 264 2250
Fax: +44 116 264 2279
uksgvsales@jbtc.com