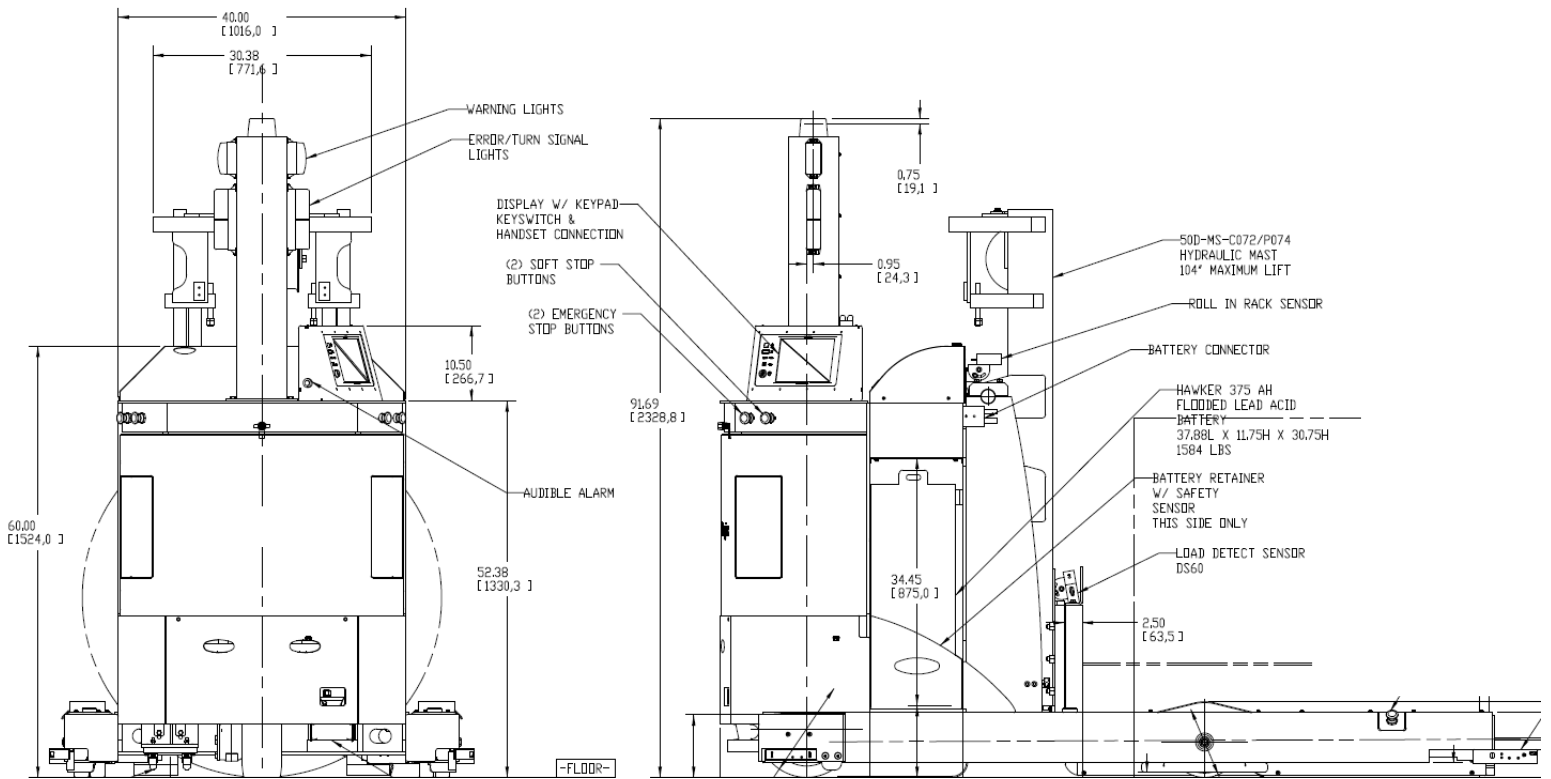




SGV Outrigger Features:

- Works in a variety of applications and industries
- Handles Rolls or Pallets up to 1700 kg **3700 lbs**
- Places Loads up to 420 cm high **165"**
- Interfaces with Racking, Automatic Reel Loading Equipment, Conveyors
- 360 Degree Protection with Front Optical Detectors and Impact Bumpers for Maximum Safety
- *Fork Tip Sensors* provide accurate load positioning at varying rack heights
- *Fork Tip Bumpers* prevent load pushing or jamming, reducing product damage

Vehicle Specifications *



Drive Power Operating Power	Electric 48VDC Battery	Brakes	Electromechanical Hydraulic	Lift Capacity Max.***	1270 kg 2,800 lbs
Type	Flooded Lead-Acid	Elevated Height	1625mm 64"	Travel	Bi-Directional
Steering	Steer / Drive	Lift Speed	127 mm/sec 5"/Sec.	Travel Speed	1.27 m/s 250 FPM**
Controls	Automatic: Laser Guided Manual: Pendant Controller	Weight	<ul style="list-style-type: none"> • Loaded 3909 kg 8600 lb • Unloaded 2772 kg 6100 lb 	Wheels	Drive Wheel 32 cm 13" Diameter Two Twin Rear Wheels: 25cm 10" Diameter
Safety Features (Standard) Flashing Lights, Emergency Stop Buttons, Impact Sensing Bumpers, Horn					

* Specifications subject to change ** Variable speeds available *** Load Size and Lift height dependent

www.jbtc-agv.com



John Bean Technologies Corp.
400 Highpoint Drive
Chalfont, PA 18914 USA
Phone: 215-822-4600
Fax: 215-822-4553
sgv.sales@jbt.com

John Bean Technologies SA
106 Bd Heloise
Les Harmoniques
95101 Argenteuil Cedex, France
Phone: +331 399 646 59
Fax: +331 399 646 74
contact@jbt-agv.fr

John Bean Technologies NV
Breedstraat, 3
B-9100 Sint Niklaas, Belgium
Phone: +32 3 780 1336
Fax: +32 3 777 7955
snt1_sgv@jbt.com

John Bean Technologies Ltd.
Unit VI Winchester Avenue
Blaby Industrial Park
Blaby Leicester, UK, LE8 4GZ
Phone: +44 116 264 2250
Fax: +44 116 264 2279
uksgvsales@jbt.com