

Fork Tilt

- Hydraulic
- +4/-1 degrees
- Trailer Loading
- Pushback Racking

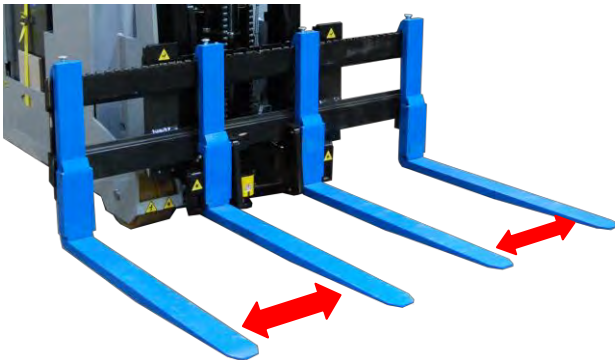
Hydraulic Lift

- Single or Multi Stage
- Slack Chain Protection
- Auto Height Calibration
- Multiple Attachments



Multi Fork

- Four Fixed Forks
- Single Double-2 Forks become 4
- Double Load Stacking



Side Shift

- Hydraulic
- +/- 8 inch Shift
- Auto calibration
- Trailer Loading

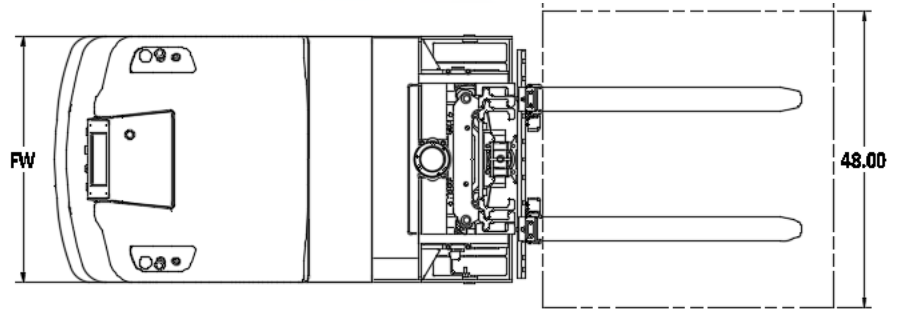


Vehicle Features

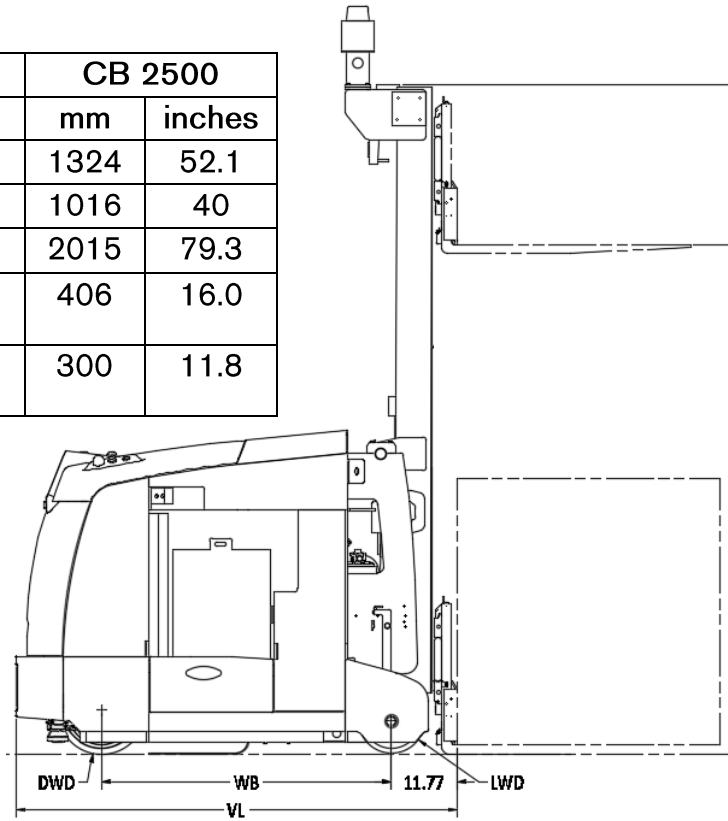
- Small footprint for greater maneuverability
- Flexible to service racking, conveyors, stands, block stacking, etc.



Vehicle Specifications*



| Specification | Dim. | CB 2500 L | | CB 2500 | |
|-----------------------|------|-----------|--------|---------|--------|
| | | mm | inches | mm | inches |
| Wheel Base | WB | 1375 | 54.1 | 1324 | 52.1 |
| Forward Width | FW | 1016 | 40 | 1016 | 40 |
| Vehicle Length | VL | 2047 | 80.6 | 2015 | 79.3 |
| Drive Wheel Dimension | DWD | 353 | 13.9 | 406 | 16.0 |
| Load Wheel Dimension | LWD | 300 | 11.8 | 300 | 11.8 |



| | | | | | |
|----------------------------|---|-----------------|--|---|---|
| Drive Power | Electric 48VDC Battery | Brakes | Electromechanical Hydraulic | Lift Capacity | 2500 Kg 5,500 lbs. Max.*** |
| Type | Lithium Ion or Sealed Lead-Acid | Elevated Height | up to 6 m / 236" | Travel | Bi-Directional |
| Steering | Steer / Drive | Lift Speed | 4"/ Sec. | Travel Speed | 1.6 mps 315 FPM** |
| Controls | Automatic: Laser Guided Manual: Pendant Controller | Weight | <ul style="list-style-type: none"> ▪ W/Battery 8328 lbs ▪ W/O Battery 5828 lbs | Drive Wheel - 2500L | 35 cm 13.5" Dia 2500 41 cm 16" Dia |
| Safety Features (Standard) | | | | Flashing Lights, Emergency Stop Buttons, Obstacle Sensing Bumpers, Horn | |
| | | | | Two Rear Wheels: 30cm 11.8" Diameter x 10cm 4" | |

* Specifications subject to change ** Variable speeds available *** Load Size and Lift Height Dependent

www.jbtc-agv.com



John Bean Technologies Corp.
400 Highpoint Drive
Chalfont, PA 18914 USA
Phone: 215-822-4600
Fax: 215-822-4553
sgv.sales@jbtc.com

John Bean Technologies Ltd.
Unit VI Winchester Avenue
Blaby Industrial Park
Blaby Leicester, UK, LE8 4GZ
Phone: +44 116 264 2250
Fax: +44 116 264 2279
uksgvsales@jbtc.com