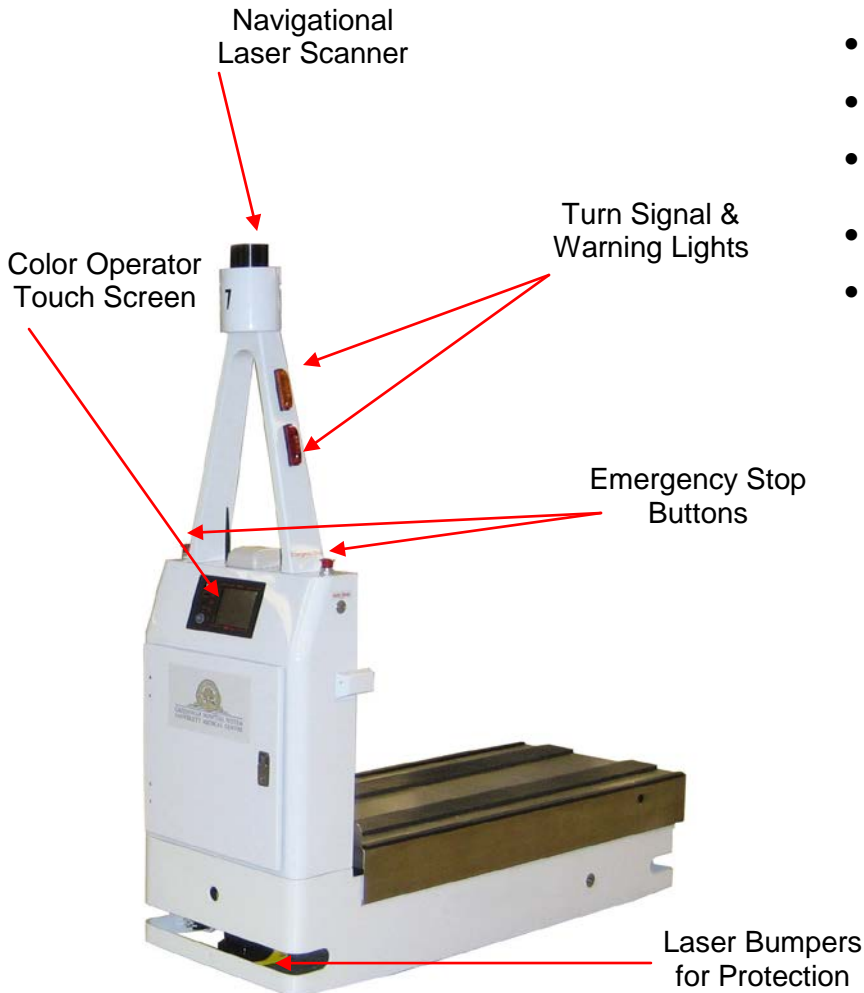


## Vehicle Features:

- Works in Hospital Applications
- Lifts Loads up to 454 kg *1,000 lbs*
- 24 Hour a day Operation
- Automatic Elevator Interface for Load Delivery to Multiple Floor Facility
- Proven Laser Navigation Accuracy
- Scanning Optics for Maximum Personnel Safety



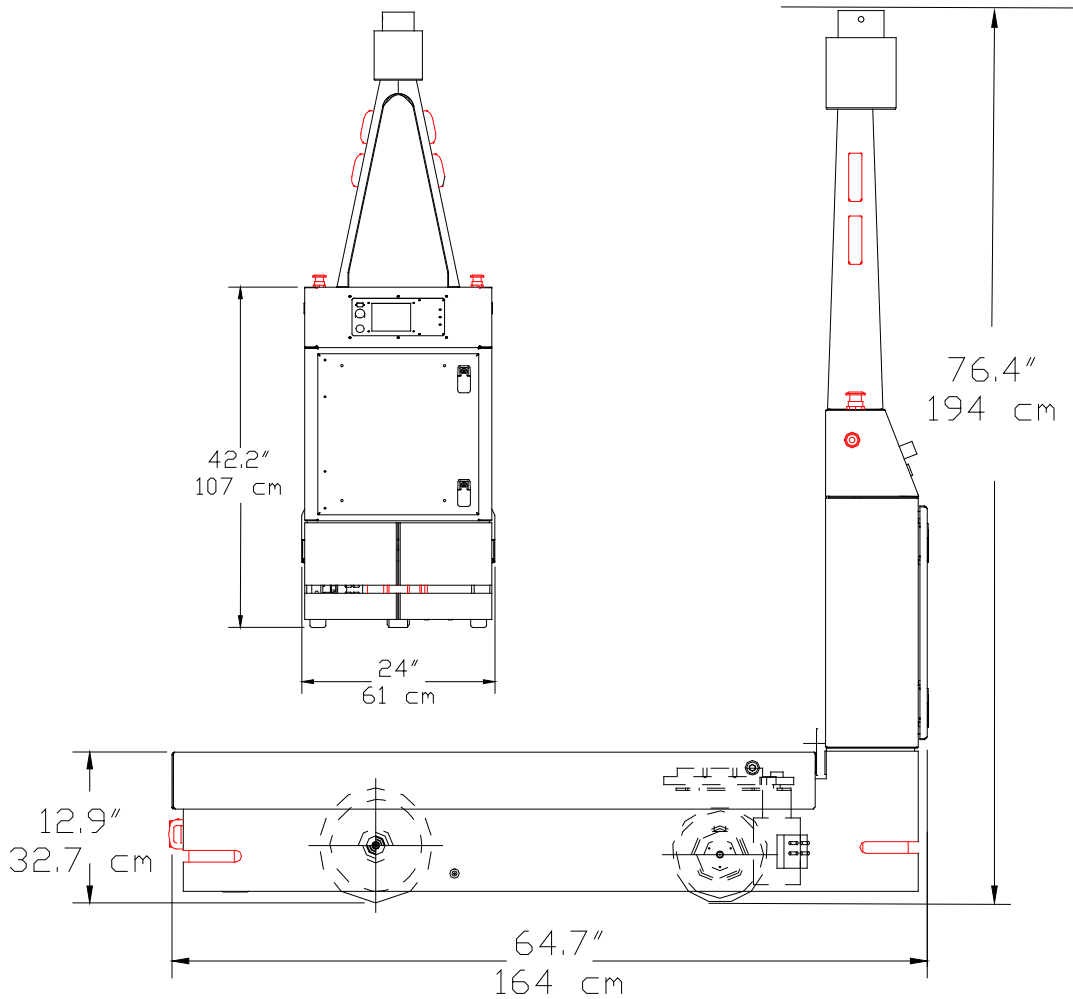
The ATLIS Laser Guided hospital vehicle is a unit load style vehicle with an integral lift mechanism, designed for lifting hospital carts. All picks and drops are performed as the vehicle's lift deck maneuvers under a designated cart, stops, and actuates its lift mechanism.

The vehicle is designed to interface with carts or cart bases with a minimum leg width of 25.7" (*65 cm*) and a minimum clearance height of 14" (*35.5cm*). The vehicles are equipped with a powered lift mechanism designed to pick up and drop off carts in the processing areas and the user floors. The lift is capable of raising the carts 2.0" (*5cm*) above the floor.

The Operator Interface Panel and the Manual Hand Set connection are conveniently located on the face of the vehicle. The ATLIS vehicles are equipped with a full complement of safety devices including laser bumpers and emergency stop buttons.



## Vehicle Specifications\*



<b>Drive</b>	Electric	<b>Brakes</b>	Electromechanical	<b>Load Capacity - Maximum</b>	1000 lbs <b>454 kg</b>
<b>Operating Power</b>	48VDC	<b>Lift</b>	Hydraulic	<b>Travel</b>	Bi-Directional
<b>Power Source</b>	Battery	<b>Lift Height- Maximum</b>	3" <b>10 cm</b>	<b>Travel Speed</b>	Up to 394 FPM <b>120 mpm**</b>
<b>Type</b>	Lithium Ion, Sealed Lead Acid	<b>Weight</b>		<b>Wheels</b>	
<b>Steering</b>	Steer / Drive	• <b>with Battery</b>	950 lbs <b>432 kg</b>	<b>Front Drive</b>	8.2" <b>21 cm</b> Diameter
<b>Drive</b>	AC or DC	• <b>without Battery</b>	750 lbs <b>341 kg</b>	<b>Rear Caster</b>	10" <b>25 cm</b> Diameter
<b>Guidance:</b>	Laser			<b>Grade (Max.)</b>	8%
<b>Manual:</b>	Pendant Controller				
<b>Safety Features</b>	Flashing Lights, Emergency Stop Buttons, Object Sensing Bumpers, Warning Voice Synthesizer				

\* Specification subject to change

\*\* Variable speeds available

[www.jbtc-agv.com](http://www.jbtc-agv.com)



John Bean Technologies Corp.  
400 Highpoint Drive  
Chalfont, PA 18914 USA  
Phone: 215-822-4600  
Fax: 215-822-4553  
sgv.sales@jbtc.com

John Bean Technologies Ltd.  
Unit VI Winchester Avenue  
Blaby Industrial Park  
Blaby Leicester, UK, LE8 4GZ  
Phone: +44 116 264 2250  
Fax: +44 116 264 2279  
uksgvsales@jbtc.com