

Flat Deck Lift Self Guided Vehicle

Vehicle Features:

- Works in Hospital Applications
- Lifts Loads up to 600 kg **1,300 lbs**
- 24 Hour a day Operation
- Automatic Elevator Interface for Load Delivery to Multiple Floor Facility
- Accurate Natural Environment Laser Navigation
- Scanning Sensors for Maximum Personnel Safety



The ATLIS Laser Guided hospital vehicle is a unit load style vehicle with an integral lift mechanism, designed for lifting hospital carts. All picks and drops are performed as the vehicle maneuvers under a designated cart, stops and actuates its lift mechanism.

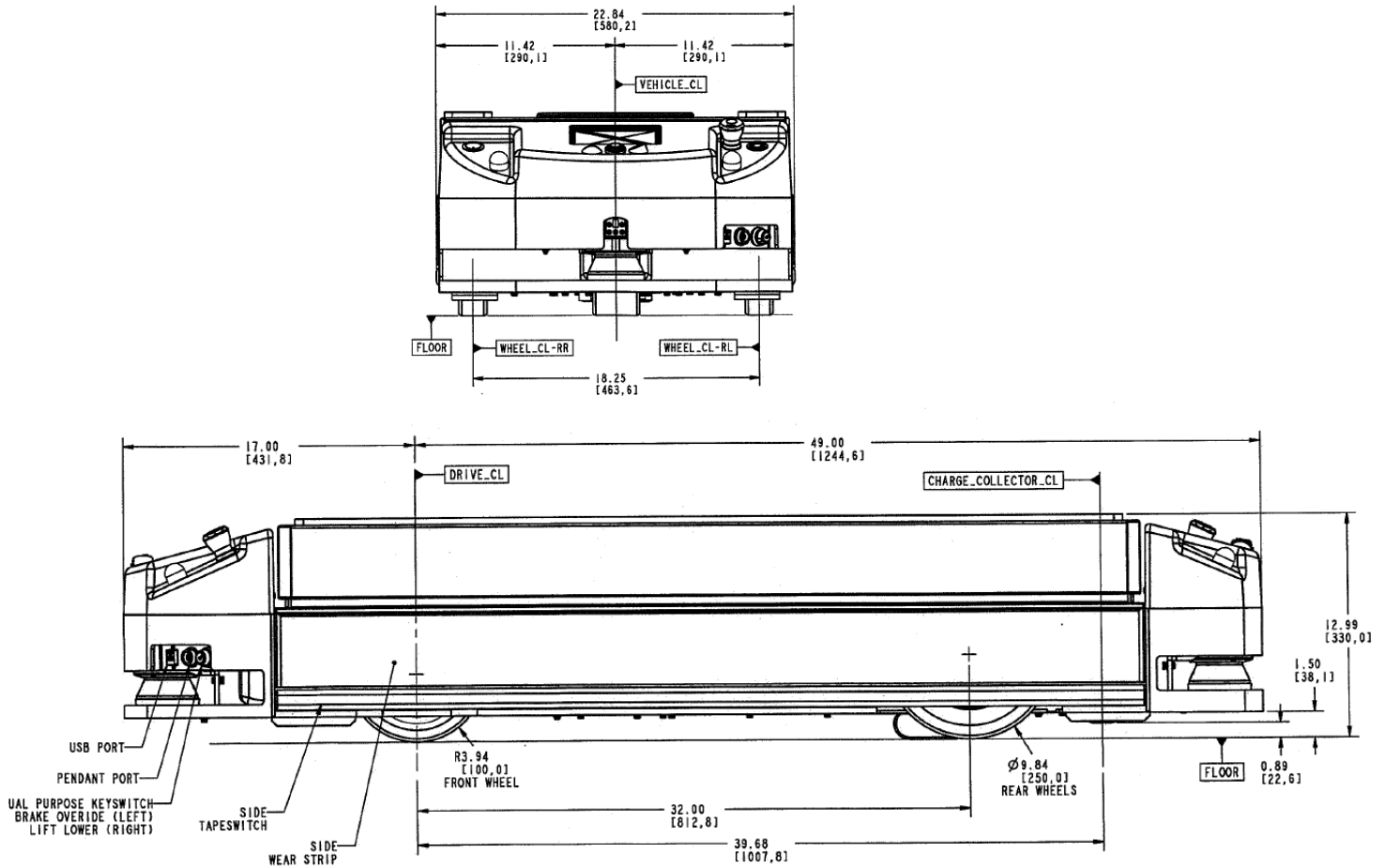
The vehicle is designed to interface with carts or cart bases with a minimum leg width of 25.7" (**65 cm**) and a minimum clearance height of 14" (**35.5cm**). The vehicles are equipped with a powered lift mechanism designed to pick up and drop off carts in the processing areas and the user floors. The lift is capable of raising the carts 2.0" (**5cm**) above the floor.

The Operator Interface Panel and the Manual Hand Set connection are conveniently located on the face of the vehicle. The ATLIS vehicles are equipped with a full complement of safety devices including laser bumpers and emergency stop buttons.

Emergency stop and soft stop buttons are clearly visible and easily accessible at either end of the vehicle.



Vehicle Specifications*



Drive	Electric	Brakes	Electromechanical	Load Capacity - Maximum	1300 lbs 600 kg
Operating Power	48VDC	Lift	Electric	Travel	Bi-Directional
Power Source	Battery	Lift Height- Maximum	3" 10 cm	Travel Speed	350 FPM 1.8 m/s **
Type	Lithium-Ion, Sealed Lead Acid	Weight		Wheels	
Steering	Steer / Drive	• with Battery	950 lbs 432 kg	Front Drive	8.0" 21 cm Diameter
Drive:	Tricycle - AC Motor	• without Battery	770 lbs 350 kg	Rear Caster	10" 25 cm Diameter
Guidance:	Natural Environment			Grade (Max.)	8%
Manual:	Pendant Controller				
Safety Features	Flashing Lights, Emergency Stop Buttons, Object Sensing Bumpers, Warning Voice Synthesizer				

* Specification subject to change

** Variable speeds available

www.jbtc-agv.com



John Bean Technologies Corp.
 400 Highpoint Drive
 Chalfont, PA 18914 USA
 Phone: 215-822-4600
 Fax: 215-822-4553
sgv.sales@jbtc.com

John Bean Technologies Ltd.
 Unit VI Winchester Avenue
 Blaby Industrial Park
 Blaby Leicester, UK, LE8 4GZ
 Phone: +44 116 264 2250
 Fax: +44 116 264 2279
uksgvsales@jbtc.com