



# AGV

Automated Trailer Loading  
Automatic Guided Vehicle



## Sophisticated design, optimum flexibility

**Our trailer loading AGVs improve safety and efficiency at your docks.**

Specially designed to operate in loading docks, our automated trailer loading (ATL) automatic guided vehicles (AGVs) provide a safe, efficient, automated solution to trailer loading and unloading, all without the need to modify a single truck. Their standard single/double fork attachments can handle multiple load types and loading patterns, enabling them to deliver flexibility. Plus, our ATL AGV's softer tires, tilting masts, and dual rear drives ease travel over dock plates and inside trucks. Equipped with 360° obstacle detection, these vehicles prevent collisions and eliminate damaged product, resulting in increased safety and savings. With ATL AGVs working at your facility, incorrect shipments and chaotic docks are a thing of the past.

---

### Features & Benefits

#### **Loads standard, over-the-road trailers**

High floor clearance handles dock plate slopes

#### **Capacity up to 8,000lbs (3,600kg)**

Interfaces with other automated and manual equipment

#### **Soft tires cushion loads over the dock plate**

360° obstacle detection

#### **Tilting mast accommodates slope of trailers**

Lifting capacity up to 8' (2.5m) high for various loads

---



## Area of Application

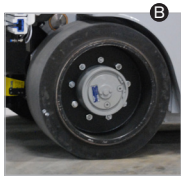
Built to last, our automated trailer loading (ATL) AGVs can navigate through even the most chaotic environments. They adapt to operational changes and accommodate multiple loading patterns. In ATL AGVs, you receive a flexible solution to your specific truck loading challenges and needs.

### TECHNICAL SPECIFICATIONS

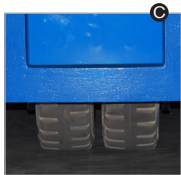
<b>DRIVE</b>	Electric drive
<b>OPERATING POWER</b>	48VDC, Battery-powered
<b>BRAKES</b>	Electromechanical
<b>VEHICLE WEIGHT</b>	12,880lbs (5,420kg) with battery; 10,380lbs (4,700kg) without
<b>TRAVEL</b>	Bi-directional; 1.80m/s (350ft/min)
<b>CONTROL</b>	Laser-guidance (automatic); pendant controller (manual)
<b>CARRYING CAPACITY</b>	6,000lb (2,720kg)



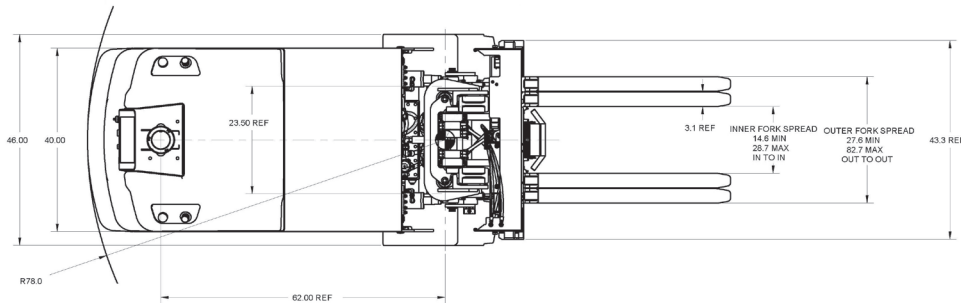
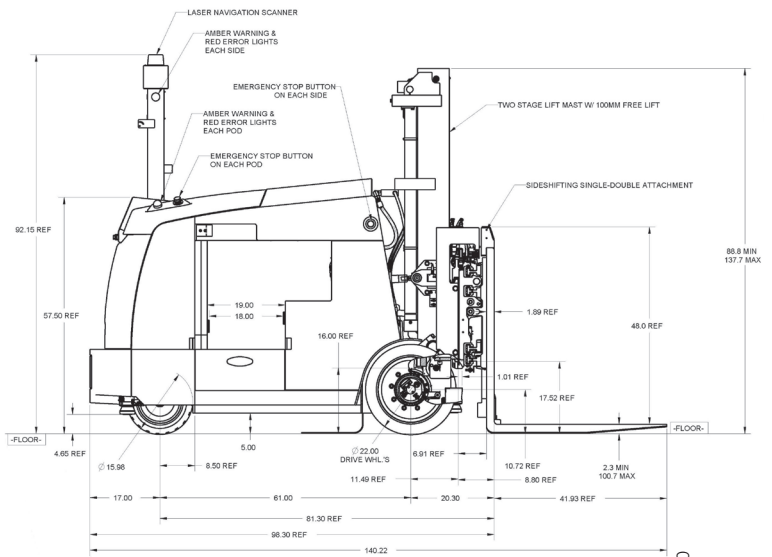
Single/double fork attachments support multiple load types and loading patterns.



Soft, 18" diameter tires reduce wear on floors and improve traction.



Soft-tire, articulated-steer wheels follow dock plate contours and cushion loads.



©2017 JBT. Subject to change without notice. 01-17-200

#### North America

John Bean Technologies Corp.  
400 Highpoint Drive  
Chalfont, PA 18914  
USA  
Phone +1 215 822 4600  
Fax +1 215 822  
sgv.sales@jbt.com

#### Europe

John Bean Technologies Ltd.  
Unit IV Winchester Avenue  
Blaby Industrial Park  
Blaby Leicester, UK LE8 4GZ  
Phone +44 116 264 2250  
Fax +44 116 264 2279  
uksgv.sales@jbt.com

